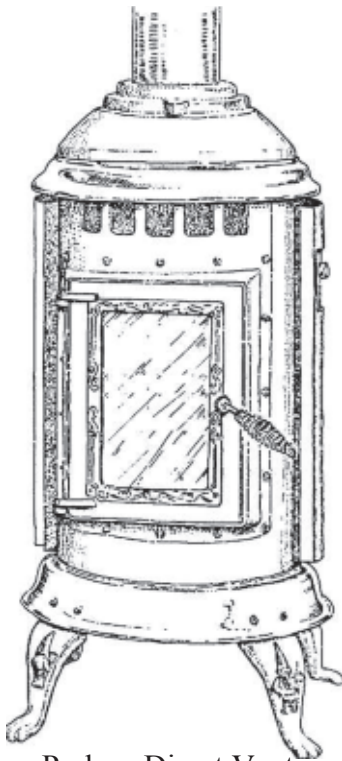


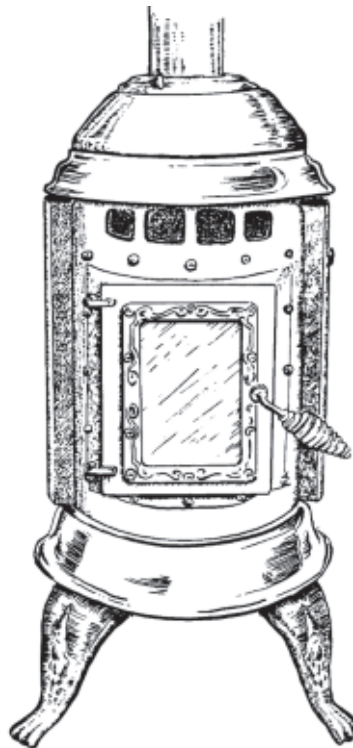


GAS HEATER SERVICE MANUAL

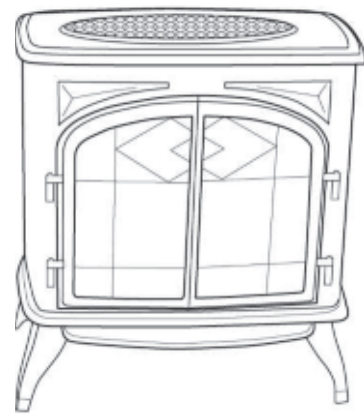
Please familiarize yourself with entire manual before attempting a repair or adjustment of the heaters.



Parlour Direct Vent



Gnome Direct Vent



Echo Direct Vent



Theelin Co. Inc.

(800) 949-5048 or (530) 273-1976 Fax (530) 273-3707

THELIN HEARTH PRODUCTS

TABLE OF CONTENTS

I.	Introduction.....	5
II.	Venting.....	5
III.	Clearances.....	6
IV.	Gas Hook Up.....	6
V.	Log Installation.....	6
VI.	Gas Valve – Millivolt Check.....	7
VII.	Air Shutter Adjustment, Correct Flame, and Removal of Burner.....	7
VIII.	Restrictor Disks.....	8
IX.	Thermostat Hook Up.....	8
X.	Conversion Kits and Installation.....	8
XI.	Delayed Ignition Safety Door.....	8
XII.	General Maintenance.....	9
	Warranty Replacement Program.....	10
	Appendix A – SIT Valve Troubleshooting Guide.....	A-1
	Appendix B – Conversion Kit Instructions.....	B-1

THELIN HEARTH PRODUCTS

TABLE OF FIGURES

Figure 1 – Parlour B Vent Exterior Vent (1994 - 2001).....	12
Figure 2 – Parlour Direct Vent Exterior Vent.....	13
Figure 3 – Gnome Direct Vent Exterior Vent.....	14
Figure 4 – Echo Venting Requirements.....	15
Figure 5 – Echo Venting Requirements.....	16
Figure 6 – Echo Co-Linear Flex System.....	16
Figure 7 – Parlour Direct Vent Pipe Configuration.....	17
Figure 8 – Gnome Direct Vent Pipe Configuration.....	18
Figure 9 – Echo Pipe Configurations.....	19
Figure 10 – Vent Termination for B Vent and Direct Vent.....	20
Figure 11 – Parlour B Vent Laboratory Listing Label (1994 – 2001).....	21
Figure 12 – Parlour Direct Vent Laboratory Listing Label (1995 – 2004).....	22
Figure 13 – Parlour Direct Vent Laboratory Listing Label (OMNI) (2004+).....	23
Figure 14 – Gnome Direct Vent Laboratory Listing Label (1995 – 2004).....	24
Figure 15 – Gnome Direct Vent Laboratory Listing Label (OMNI) (2004+).....	25
Figure 16 – Echo Laboratory Listing Label (to 3/6/2007).....	26
Figure 17 – Echo Laboratory Listing Label (3/7/2007 to Present).....	27
Figure 18 – Parlour Direct Vent Vertical Pipe Installation – Air Intake Restrictor Disks.....	28
Figure 19 - Parlour Direct Vent Stove with Burner.....	29
Figure 20 - Pyrotech Log Placement.....	30
Figure 21 – Direct Vent Gas Heater Vent Termination Locations (1994 – 2004).....	32
Figure 22 – Vent Termination Locations (OMNI) (2004+).....	33
Figure 23 – Parlour B Vent Sit Valve (Serial # 543-OM).....	34
Figure 24 – Parlour B Vent Robert Shaw Valve (Serial # 100-542).....	35
Figure 25 – Parlour and Gnome Direct Vent SIT Valve.....	36
Figure 26 – Parlour and Gnome Direct Vent Robert Shaw Valve.....	37
Figure 27 – Diagram of Echo Control Components (SIT Valve).....	38
Figure 28 – Diagram of Echo Control Components (Air Restrictor).....	39
Figure 29 - Parlour B Vent Air Shutter and Manifold/Valve – SIT Valve (Bottom View).....	40
Figure 30 – Parlour B Vent Log Placement and Air Shutter Adjust.....	41
Figure 31 – Parlour Direct Vent Log Placement and Air Shutter Adjust.....	42
Figure 32 – Gnome Direct Vent Log Placement and Air Shutter Adjust.....	43
Figure 33 – Echo Stove with Log & Ember Tray Placement.....	44
Figure 34 - Echo Stove with Log & Ember Tray Placement.....	46
Figure 35 – Parlour B Vent Manifold/Valve – Robert Shaw Valve (Bottom View).....	48
Figure 36 – Parlour and Gnome Stove with Burner Removed.....	49
Figure 37 – Location of Echo Pilot, Burners, and Air Shutter.....	50
Figure 38 – Directions for Enabling Echo Door Opening and Securing Door.....	51
Figure 39 – Delayed Echo Ignition Safety Shut Down.....	52
Figure 40 – Location of Restrictor Disks in Parlour and Gnome (1995 – 2004).....	53
Figure 41 – Location of Restrictor Disks in Parlour and Gnome (2004+).....	54
Figure 42 – Parlour/Gnome Direct Vent Delayed Ignition, Fan Mount, Snap Disc Sensor (1995-2004).....	55
Figure 43 – Delayed Ignition Safety Shut Down (2004+).....	56
Figure 44 – Parlour B Vent Wiring Diagram – Robert Shaw Valve.....	57

THELIN HEARTH PRODUCTS

Figure 45 – Parlour B Vent Wiring Diagram – SIT Valve	58
Figure 46 – Echo Venting Chart	59
Figure 47 – Direct Vent Wiring Diagram (1995 – 2004)	60
Figure 48 – Direct Vent Dimensions	61

I. INTRODUCTION

Thelin Hearth Products manufactures three models of free-standing gas heaters: the Parlour Direct Vent, Gnome Direct Vent, and Echo Direct Vent. This manual will give you the information you need to install them correctly, troubleshoot problems, and fine-tune them after they are installed. In addition, in Section X you will find a step-by-step guide to converting the LP stoves to natural gas and vice-versa.

To properly perform maintenance and work on all models, you will need the following tools:

- 1/4-, 3/8-, or 1/2-inch socket set
- Slot and phillips screw drivers (a Makita or similar cordless drill works well)
- Digital read-out volt meter
- Allen wrench set
- T-30 Torx tip
- Wire stripper, crimp connectors, and crimp tool
- Drop light or flashlight with extension cord
- Crescent wrench and set of end wrenches
- Instrument for checking gas pressure, i.e., manometer

II. VENTING

Figure 1 through Figure 10 will give you the recommended venting systems for all Thelin Hearth Products gas heaters. Venting properly is extremely important. Ninety percent of problems with Direct Vent stoves relate to improper venting. If you deviate from these installation diagrams, you must remember the following:

1. All horizontal runs must maintain a 1/2-inch per foot rise. Horizontal runs over 4 feet are highly discouraged.
2. Each added 90- or 45-degree bend creates static pressure and will affect the performance of the heater. Two 45-degree elbows are always better than one 90-degree elbow.
3. Long vertical runs (over 8 feet) on the Direct Vent models can create turbulence problems with the incoming combustion air and these installations may require adjustment of the Restrictor disks (see Section VII). If the pilot flame pulls away from the thermocouple, a drop out will occur and the burner will go out. This symptom can be created by too much incoming combustion air.
4. It is extremely important that all interlocking connections are locked properly and securely. Failure to lock sections together correctly will result in a mixture of combustion air and exhaust gases, and the fire will lift off of the burner and go out.

III. CLEARANCES

Figure 11 through Figure 22 will give you the proper clearances to combustible surfaces, both for the stove and surrounding areas including walls, windows, porches, etc. The Parlour B Vent requires a hearth pad extending the full width and length of the heater. The Direct Vent stoves do not require a hearth pad, but it is highly recommended on carpets, rugs, or any other soft material. A hearth pad on these surfaces will give stability to the heater and prevent tipping. Follow the instructions carefully when placing the stove near drapes, furniture, and other combustible material.

IV. GAS HOOK UP

You are required to have a shut-off valve immediately preceding the flex gas line to the stove. This valve should be easily accessible and visually prominent after the installation is complete. Do not compromise on the placement of the shut off valve. **The following should always be strictly adhered to when hooking up the heater to the gas line:**

1. Use yellow Teflon gas tape when making connections to the stove and valve. Do not allow pieces of tape or other materials to enter the pipe and valve openings. Foreign matter in the pipe or valve openings will prevent the even flow of gas and create problems when the stove is burning.
2. Purge the gas line of air before attempting to light the pilot. Air pockets in the gas line will create problems when trying to light the pilot and burner.

3. If you are not certain of the gas pressure for the stove, always test the pressure before lighting the pilot. All Thelin Hearth Products gas valves are equipped with pressure test ports (see Figure 23 through Figure 26 for location of ports). With a low-cost manometer you can make sure the pressure is correct before lighting the pilot. See Figure 11 through Figure 22 for the correct manifold pressure in water columns for each stove and each fuel, LP or natural gas.
4. Always check connections for leaks before lighting stove. We recommend a battery-operated gas “sniffer,” but liquid soap also works well for checking the connections for leaks.

V. LOG INSTALLATION

Figure 30 through Figure 33 show the correct placement of the logs in the stoves. Incorrect log installation will create burn problems, sooting, and clogged burners. Important points to remember when checking log placement are as follows:

1. Each stove has a front and rear log. make sure the front log and rear log are in their proper places. Consult diagrams if you are not sure.
2. Make certain the logs do not impinge upon the flame flow. Logs **must not** be placed over the flame so as to obstruct the flame pattern. Make sure the burners can be seen through the log openings.
3. If the logs are installed correctly, you will be able to see the pilot when it is lit. This is important on start up as you will be able to watch the pilot as it lights.

VI. GAS VALVE – MILLIVOLT CHECK

TheLin Hearth Products uses two gas valves on their heaters. Early stoves from 1994 to 1998 have Robert Shaw valves. All current models are equipped with SIT valves. Diagrams for both these valves are attached (see Figure 23 through Figure 26). The diagrams show you the location of the Piezo lighter, the Hi/Lo flame adjustment knob and the On, Off, Pilot knob. In addition, the pilot flame adjustment set screw can be located by viewing these diagrams. Study them carefully as the location of each component is exactly like they are on the valve itself.

Checking for proper millivoltage: Attached as Appendix A to this manual is the SIT valve troubleshooting guide. This guide will take you step by step through the adjustment and troubleshooting of the SIT valve. Please note that on Page 2 of the guide (“General Guide for Set-Up of Nova mV System,” item numbers 7 and 8), are procedures for checking millivoltage of the valve. Follow the steps outlined in the guide to make sure the valve is functioning properly.

Inlet/outlet pressure: Both inlet and outlet pressure can be checked directly from the valve by utilizing a small plastic tube hooked directly to a manometer. Note “IN” and “OUT” receptacles on the SIT valve (Figure 23 and Figure 25). Hook tube to these orifices after loosening internal screw and hook directly to manometer to check pressure. Robert Shaw valves do not have these receptacles. Pressure can be checked on the Robert Shaw valves from the orifice manifold (See Figure 32).

VII. AIR SHUTTER ADJUSTMENT, CORRECT FLAME, AND REMOVAL OF BURNER

Both B Vent and Direct Vent stoves are equipped with air shutters that allow for fine tuning and adjusting of the air-to-fuel ratio. The B Vent heater can be adjusted from the bottom of the stove (see Figure 28). The Direct Vent stoves require the removal of the burner to adjust the air shutter (see Figure 35 and Figure 36) for removal of burner and location of air shutter.

It is **critical** when removing or replacing the burner to make sure the orifice is aligned correctly into the air shutter hole. Do not force or pry burner or orifice. If alignment is correct, they will mate and align easily.

The correct flame for all burners is blue flame at the bottom and yellow at the top. Too much orange means the stove is burning too rich. If you notice wisps of black smoke coming off the tips of the flames, this means the burner is starved for air and the air shutter should be opened to allow more air to flow with the gas. It is important to watch the flame characteristics for some time after light-up as the heat generated from the burner can change the flame pattern. It usually takes 15 or 20 minutes for the flame pattern to stabilize.

VIII. RESTRICTOR DISKS

Theelin Hearth Products Direct Vent stoves are equipped with incoming air Restrictor disks so you can fine tune the combustion air and prevent air turbulence at the pilot light. For location of these disks, see Figure 40 and Figure 41. To access the disks, you must remove the burner as outlined in Section VII, “Air Shutter Adjustment.” Some scenarios that may require disk adjustment are as follows:

1. If the Direct Vent heater is installed with a high vertical run (in excess of eight [8] feet), the incoming combustion air may create too much air turbulence and lift the pilot flame away from the thermocouple. A quick drop out may result, shutting off the burner and pilot light.
2. A powerful prevailing wind aimed directly at the DV termination cap could result in too much incoming air and disturb the pilot flame. Adjusting the Restrictor disks will overcome this problem.

IX. THERMOSTAT HOOK UP

Diagrams 11 through 14 will show you the location of the thermostat hook-up terminal. Do not try to wire around this terminal. The wiring has already been done for you and the provided terminal must be used for thermostat hook up. Note: a **millivolt** thermostat **must** be used on all Theelin Hearth Products gas heaters. **NO EXCEPTIONS!**

X. CONVERSION KITS AND INSTALLATION

All Theelin Hearth Products gas stoves can be converted from LP gas to natural gas, or from natural gas to LP gas. The kits consist of three parts plus a label indicating the change has been made. The components of the kit are: (a) Main Orifice, (b) Control Regulator, (c) Pilot Orifice, and (d) label indicating for which gas the stove is equipped. See Figure 23 through Figure 26 and Figure 36 through Figure 41 for the location of these parts. Tools necessary for making the conversion are 7/16, 1/2, and 9/16 end wrenches, slot and phillips screw drivers, and a 1/4-inch drive ratchet set. **Removal of the main orifice requires two wrenches.** Do not attempt to remove orifice with one wrench as you can twist the gas line and break it. For specific instructions on conversions, see Appendix B.

XI. DELAYED IGNITION SAFETY DOOR (1995 – 2004)

See Figure 42 for the location of the safety door. In the event of a delayed ignition and/or explosion, this door will fly open and shut off the burner. Both Direct Vent stoves are equipped with the safety door. The stove can not be restarted until the door is reset, the switch is activated, and the cause of the explosion is determined. To access this door, you must remove the outer wrap on the stove. **Be careful when removing the shield as the wires to the fan and sensors are attached to the inner side of the shield.** These can be easily removed once the shield is loose from the body of the stove. The gas valve, pilot assembly, and gas lines should all be checked before re-assembly.

XII. GENERAL MAINTENANCE

At least once a year the following maintenance should be performed on the gas heaters:

1. Remove log set and inspect burner for soot build up and/or blocked holes in the burner tubes. Excessive soot build up indicates an air/fuel ratio problem and means some adjustment is necessary.
2. Remove the outer wrap and inspect the fan for dust and lint build up. Pay particular attention to the squirrel cage fan blades as these can accumulate dust and lint, affecting the performance of the fan. Clean as necessary.

3. The wire harness and control knob connections should be checked for wear and tear. Make sure all wires are pliable and not hard or brittle. Connections should be secure and tight. Replace wires and connectors as needed. Remember, all wires are color-coded as per wiring shown in Figure 44 through Figure 47.

In conclusion, we would like to remind you that Thelin Hearth Products can provide support via telephone. Service personnel are welcome to use our toll-free number, (800) 949-5048.

THELIN HEARTH PRODUCTS

WARRANTY COVERAGE

Warranted for five years from the date of retail purchase against defects in workmanship to include heater cabinet and body. Warranted for one year from date of retail purchase to include drive mechanism and electronic components. Solely for the benefit of the original purchaser. (Retain your dated sales receipt as proof of purchase.)

Covered

Replacement of defective parts and labor and product return to consumer.

Not Covered

Door glass, plating, and gasket. Damages caused by abuse or failure to perform normal maintenance and any related expense. This warranty shall not apply to any defect, malfunction, or failure to conform with the warranty provisions if caused by damage (not resulting from defect or malfunction) due to unreasonable use by purchaser. Consequential damages, incidental damages, or incidental expenses, including damage to property. Some states do not allow the exclusions or limitation or incidental consequential damages, so the above limitation or exclusion may not apply to you. This warranty gives you specific legal rights which vary from state to state.

Authorized Warranty Payment

Thelin Hearth Products will credit the distributor/dealer account the sum of fifty dollars (\$50.00) per occurrence and thirty-five cents (\$0.35) per mile, maximum one hundred miles round trip.

Qualification for Warranty Performance

Return product or defective part with proof of purchase and narrative description of defect together with your name and address, freight prepaid to: Thelin Hearth Products, Warranty Division, 12400 Loma Rica Dr., Grass Valley, CA 95945. Returned part or product will be repaired or replaced at Thelin Hearth Products' option and will be returned to you freight prepaid as soon as practical, but not later than 30 days after received.

Warranty Work

All warranty work must be authorized by the factory in advance of the repair and an authorization number assigned. **A warranty claim form must be completed and signed by both the repair person and the customer.** All claims must be submitted to your distributor, if you are buying products through a distributor. In the event a unit has to be replaced, the warranty claim form must be affixed to the unit with a description of the defect. Only the factory can authorize a heater return.

Any replacement parts required may be obtained from Thelin Hearth Products and will require a purchase order. Parts will be invoiced to the dealer account and credit will be issued upon return to Thelin. All returned parts must be accompanied by a warranty claim form. If you have a warranty claim for installing parts, use the same claim form and authorization number. Please note: No credit will be issued until a warranty form with an authorization number is received along with the defective part.

THELIN HEARTH PRODUCTS

PELLET & GAS HEATER LIMITED WARRANTY

Thelin Hearth Products warrants the Pellet & Gas Heater against defects in material and workmanship for a period of five (5) years from the date of purchase with the exception of the electrical components, gaskets, logs, moving parts, gas valve and control, and burner which are warranted for a period of one (1) year from date of purchase. Glass, gasketing, gold plating, and paint are not covered by the warranty. This warranty does not include service call cost or any other additional charges. Call the dealer to arrange for all warranty work.

Exclusions to this limited warranty include: Injury due to malfunction of the product, loss, damage, defect, failure to function, due to an accident, negligence, misuse, improper installation, alteration or adjustment of the manufacturer's settings, lack of proper and regular maintenance, damage incurred while in transit, or an act of God.

Only the original purchaser of this heater is covered by this limited warranty. If the unit is used for commercial purposes, it is excluded from this warranty. The warranty is automatically voided if the unit's serial number has been removed or altered in any way or the wrong fuel has been used.

No dealer, distributor, or similar person has the authority to represent or warrant Thelin Hearth Products beyond the terms contained in this limited warranty. Thelin Hearth Products assumes no liability for such representations or warranties.

THIS LIMITED WARRANTY IS THE ONLY WARRANTY SUPPLIED BY THELIN HEARTH PRODUCTS, (UNLESS AN EXTENDED WARRANTY HAS BEEN PURCHASED) THE MANUFACTURER OF THE UNITS. ALL OTHER WARRANTIES, WHETHER EXPRESS OR IMPLIED, ARE HEREBY EXPRESSLY DISCLAIMED AND PURCHASER'S RECOURSE IS EXPRESSLY LIMITED TO THE WARRANTIES SET FORTH WITHIN.

HOW TO USE THIS WARRANTY: If you find this unit to be defective in material and/or workmanship within a period of five (5) years from the date of purchase, contact your local dealer from whom you purchased the heater. All warranty work must be authorized by the factory in advance of repair and an authorization number assigned. A warranty repair claim form must be signed by both the dealer and the customer. In the event your dealer is no longer in business or you cannot locate a dealer, you may do the following: Call or write factory, giving proof of purchase information and a narrative description of the defect together with your name and address. Only the factory can authorize a heater or part return. Upon authorization by factory, return defective heater or part, freight prepaid to Thelin Hearth Products, Warranty Division, 12400 Loma Rica Drive, Grass Valley, CA 95945. Returned part or product will be repaired or replaced at Thelin Hearth Products' option and will be returned to you, freight prepaid, as soon as practical, but not later than 30 days after receipt.

To register your Thelin Hearth Products warranty, complete and sign the enclosed warranty card and mail it within ten (10) days from date of purchase.

OTHER RIGHTS: This warranty provides you with certain legal rights. You may have additional rights, which vary from state to state in regard to this warranty.

AUTHORIZED WARRANTY PAYMENT: Thelin Hearth Products will credit the dealer account the sum of fifty dollars (\$50.00) per occurrence and thirty-five cents (\$0.35) per mile, maximum one hundred (100) miles round trip.

Thelin Hearth Products reserves the right to change, without notice, product features or specifications described.

FIGURE 1 – PARLOUR B VENT EXTERIOR VENT (1994 - 2001)

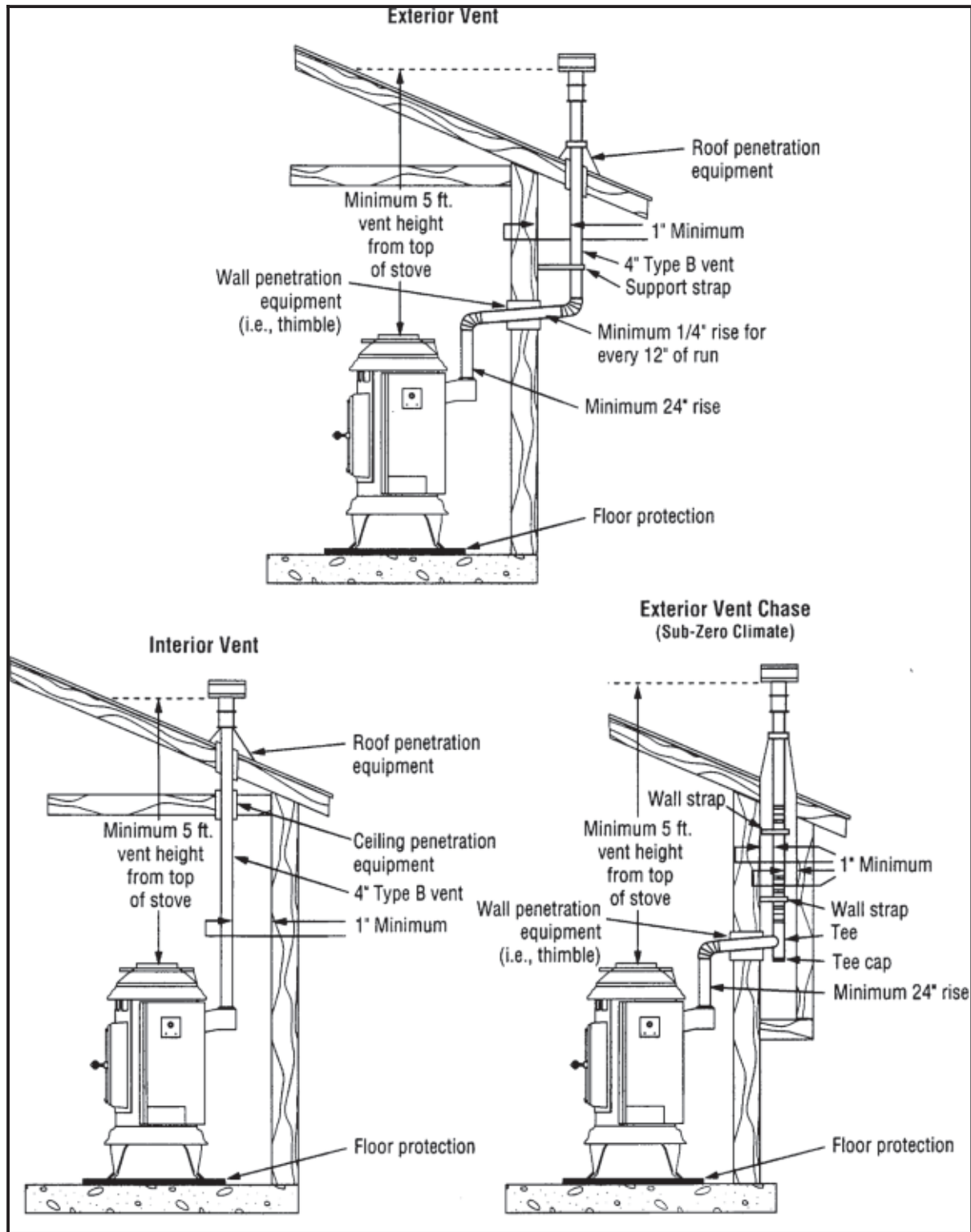


FIGURE 2 – PARLOUR DIRECT VENT EXTERIOR VENT

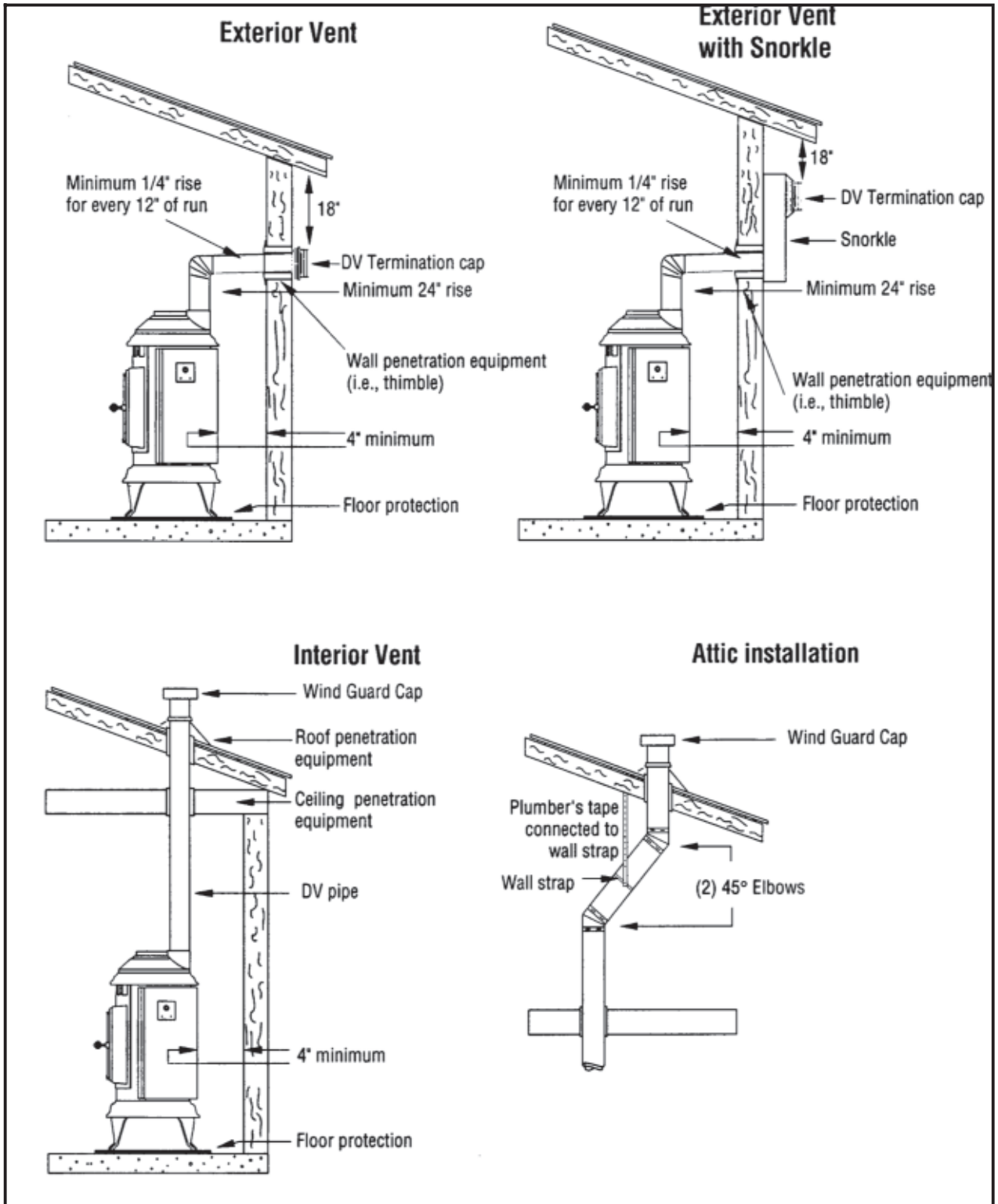


FIGURE 3 – GNOME DIRECT VENT EXTERIOR VENT

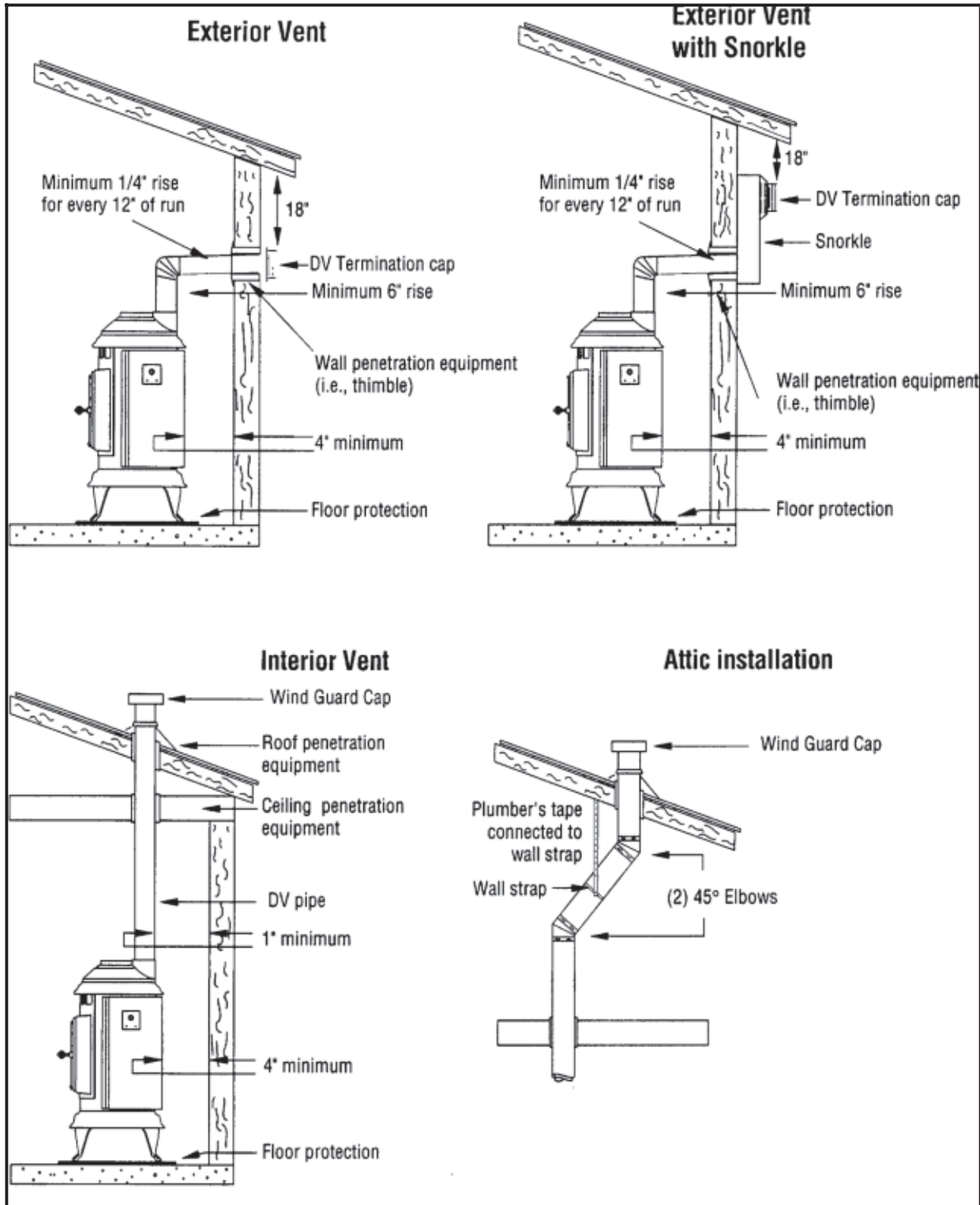


FIGURE 4 – ECHO VENTING REQUIREMENTS

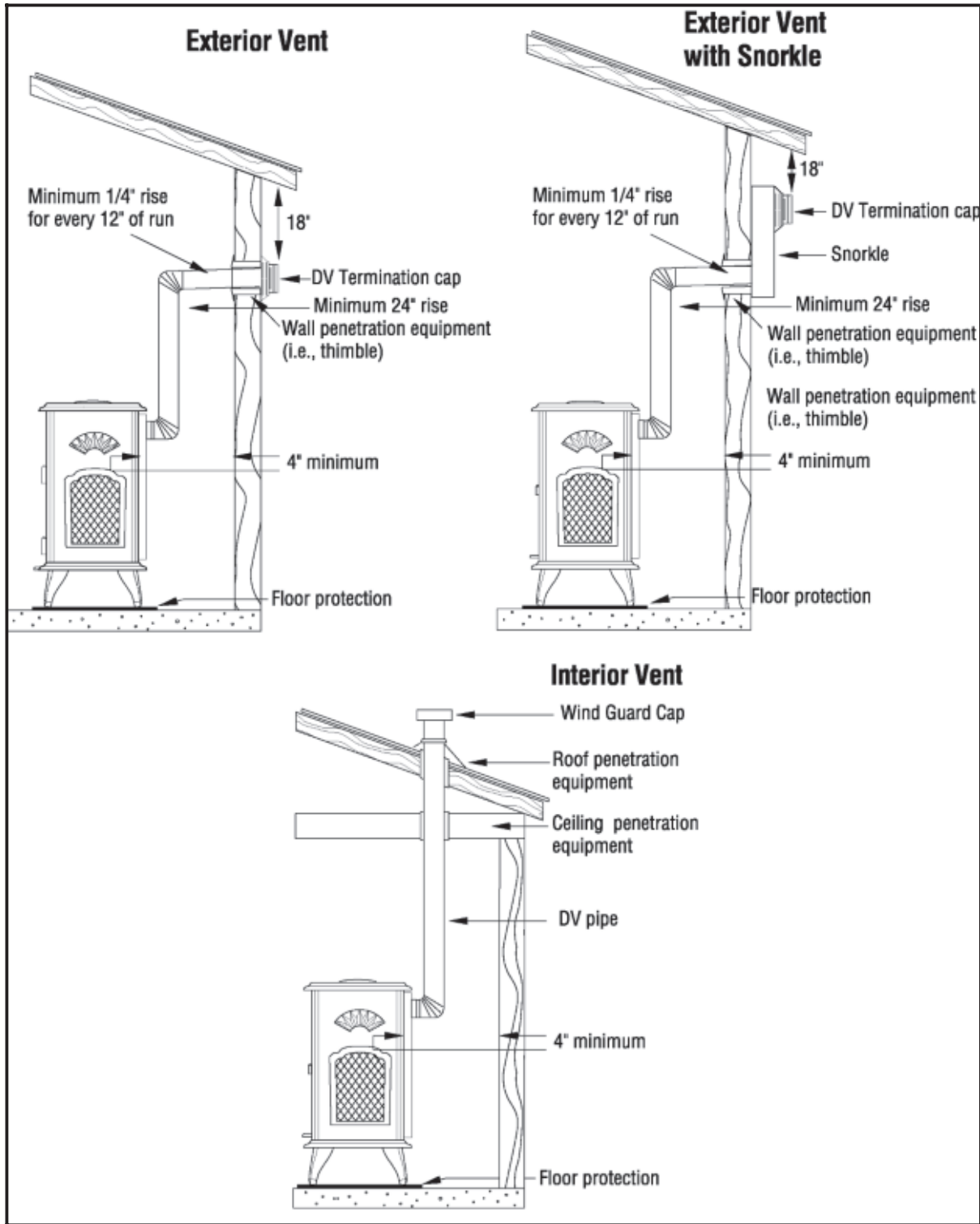


FIGURE 5 – ECHO VENTING REQUIREMENTS

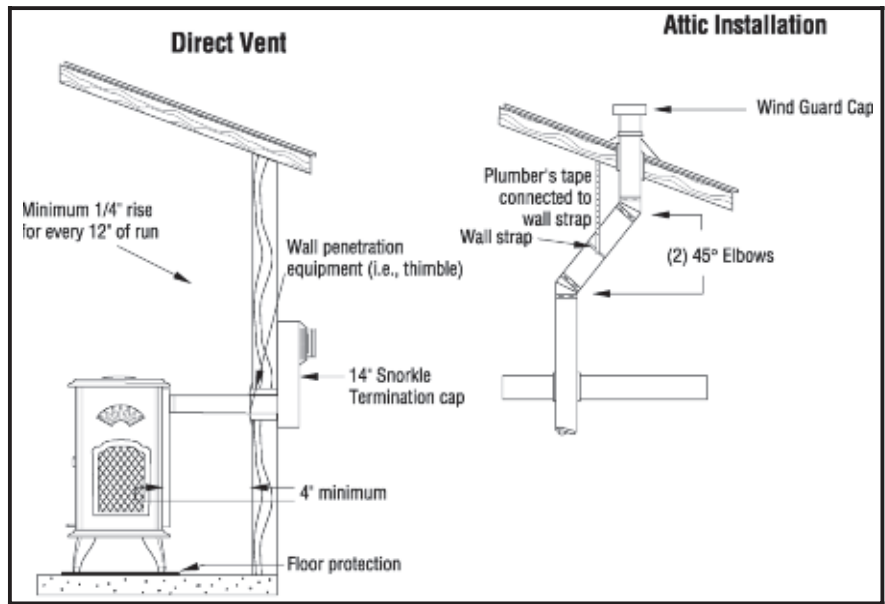


FIGURE 6 – ECHO CO-LINEAR FLEX SYSTEM

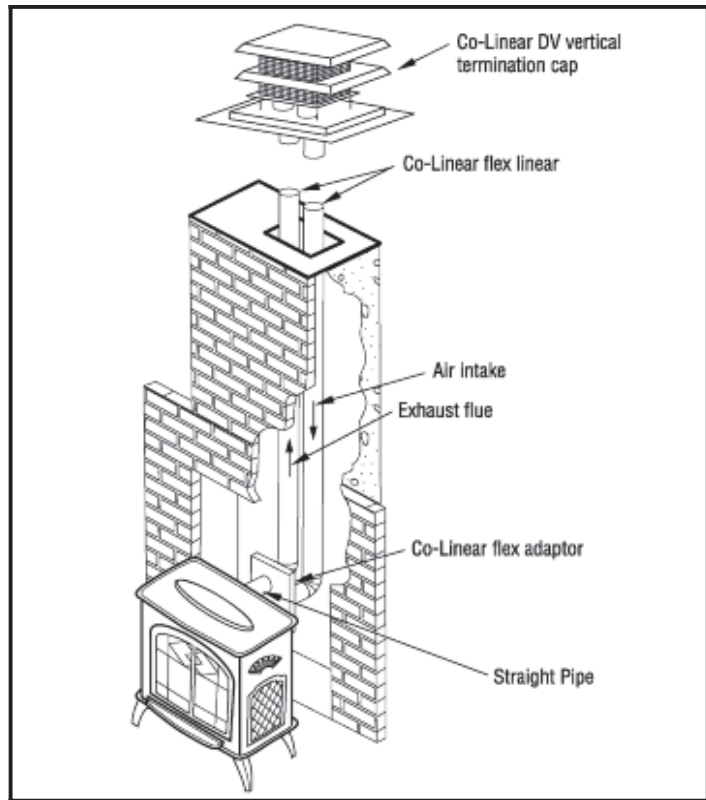


FIGURE 7 – PARLOUR DIRECT VENT PIPE CONFIGURATION

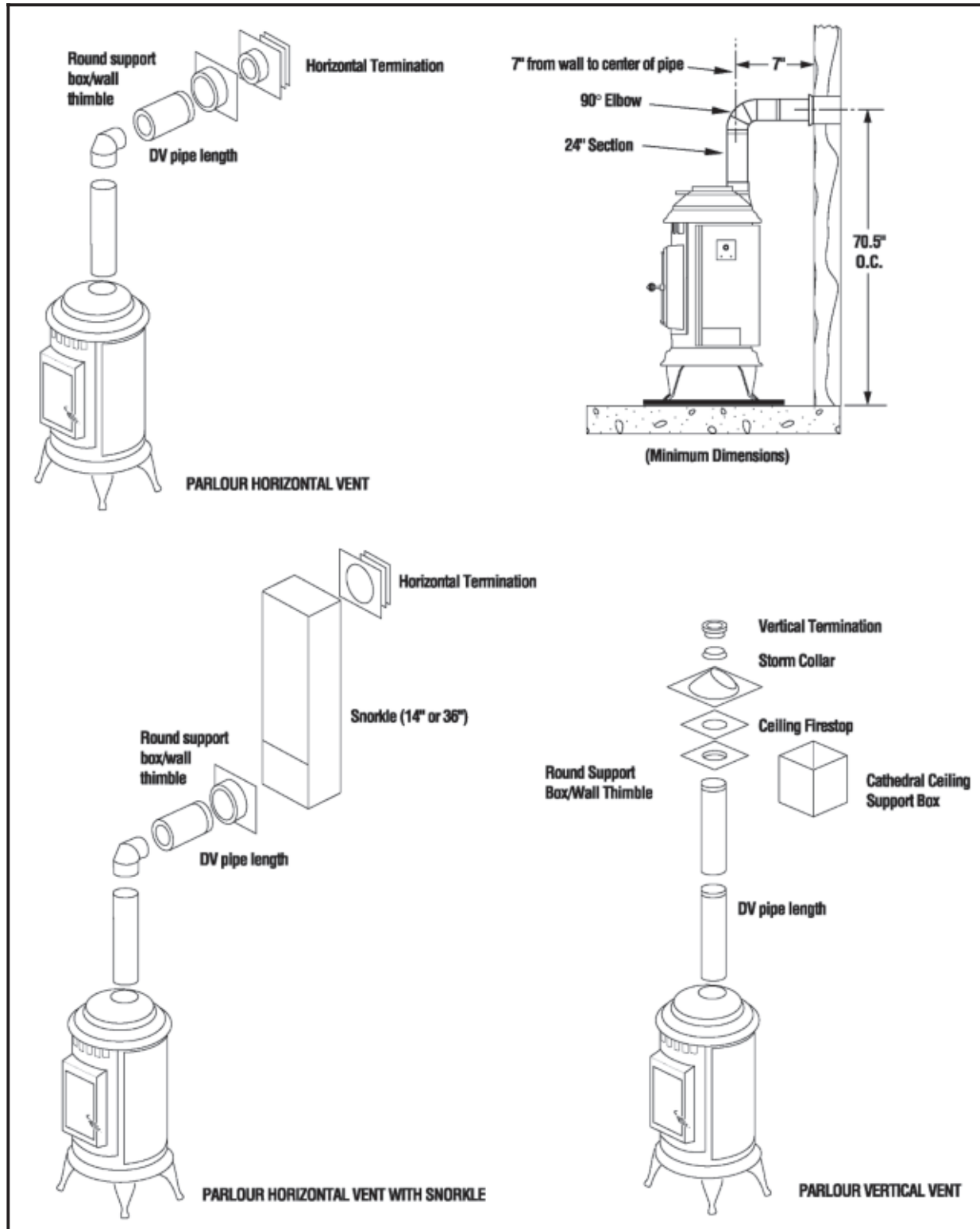


FIGURE 8 – GNOME DIRECT VENT PIPE CONFIGURATION

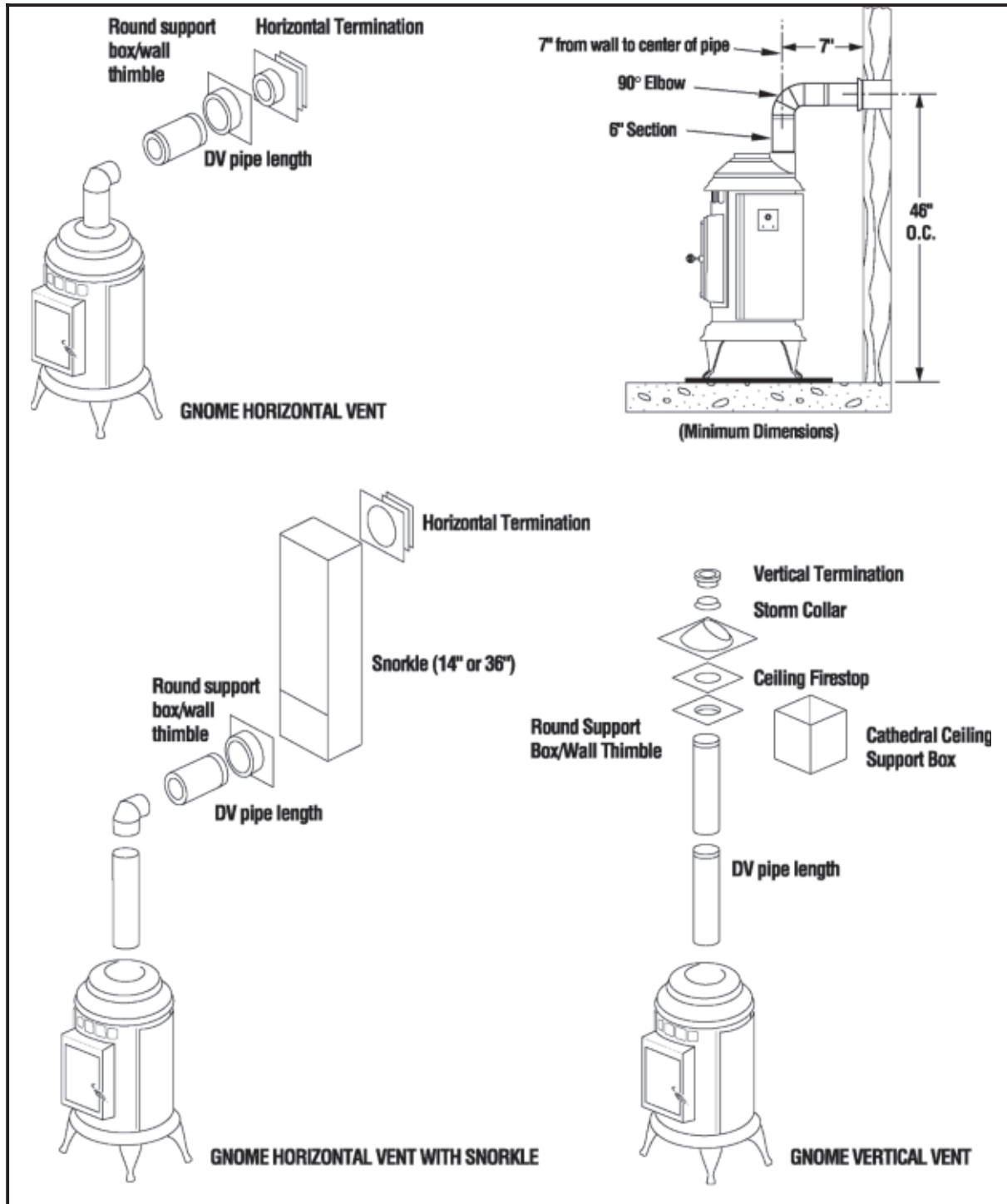


FIGURE 9 – ECHO PIPE CONFIGURATIONS

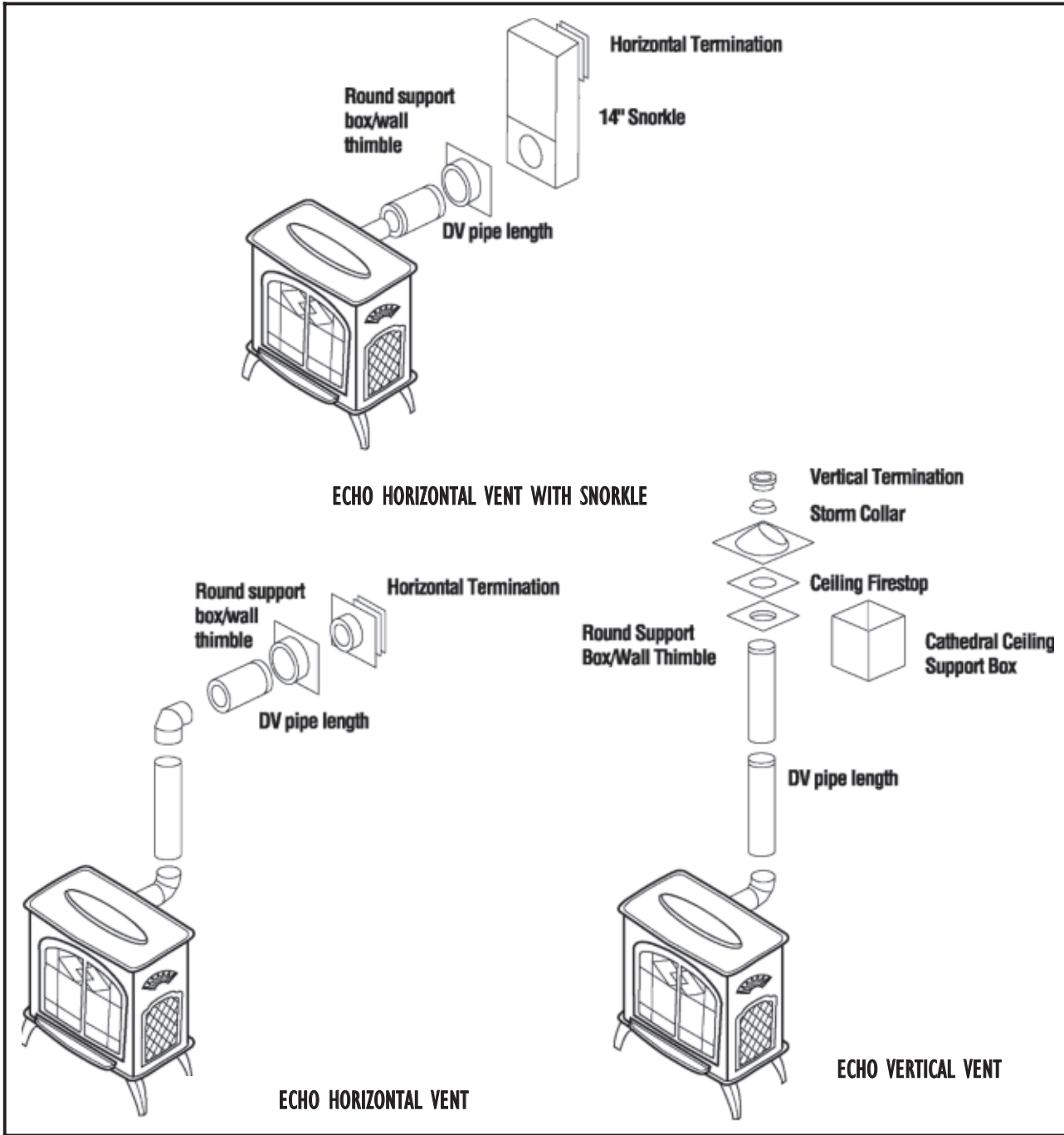
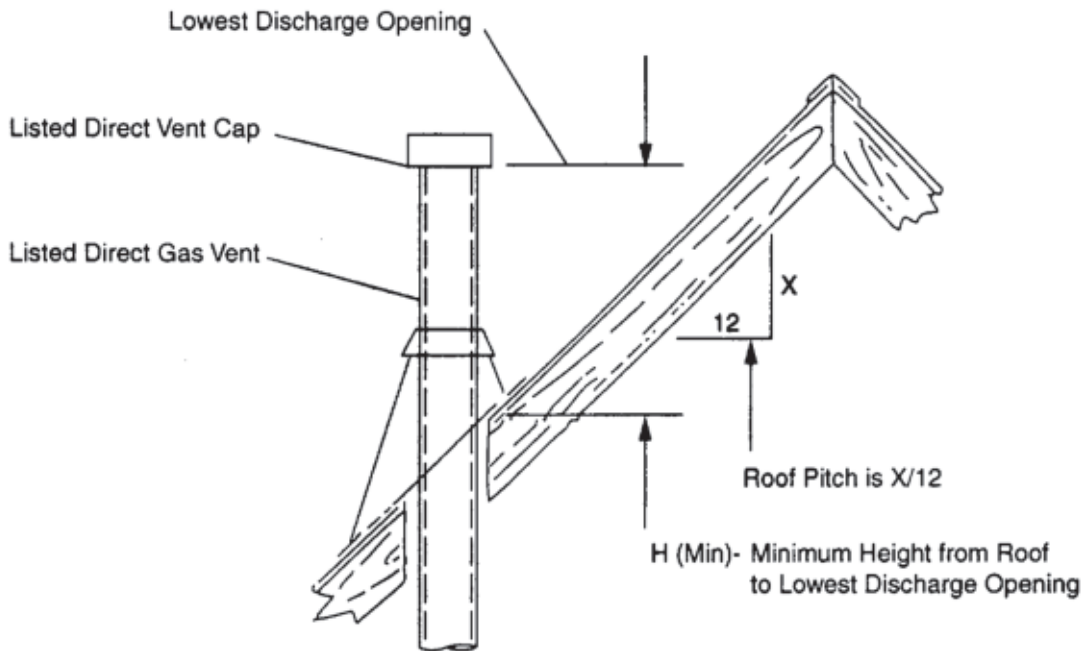


FIGURE 10 – VENT TERMINATION FOR B VENT AND DIRECT VENT



<u>Roof Pitch</u>	<u>H (Min.) Ft.</u>
Flat to 6/12	1.0
Over 6/12 to 7/12	1.25
Over 7/12 to 8/12	1.5
Over 8/12 to 9/12	2.0
Over 9/12 to 10/12	2.5
Over 10/12 to 11/12	3.25
Over 11/12 to 12/12	4.0
Over 12/12 to 14/12	5.0
Over 14/12 to 16/12	6.0
Over 16/12 to 18/12	7.0
Over 18/12 to 20/12	7.5
Over 20/12 to 21/12	8.0

FIGURE 11 – PARLOUR B VENT LABORATORY LISTING LABEL (1994 – 2001)



Thelin Co.
Grass Valley, CA



DO NOT REMOVE THIS LABEL

INSTALL AND USE ONLY IN ACCORDANCE WITH MANUFACTURER'S INSTALLATION AND OPERATING INSTRUCTIONS. CONTACT LOCAL BUILDING OFFICIALS ABOUT RESTRICTIONS AND INSTALLATION INSPECTION IN YOUR AREA.

MODEL No. MAX. BTU INPUT

G A S	Parlour 3000	36,000 NG
	B VENT	33,000 LP

DATE OF MFG. SERIAL No.

Vented Gas Fireplace Heater-Not For Use With Solid Fuel

Tested to ANSI Z21.88-1998, CSA 2.33-M98 Vented Gas Fireplace Heaters, and CAN/CGA 2.17
This vented gas heater is not for use with air filters.

This unit is equipped for use with NATURAL GAS PROPANE (L.P.)

Input and Orifice Specifications	L.P.	N. G.	Minimum Clearance to Combustibles:	
Maximum Input Rating (BTU/Hr)	33,000	36,000		
Minimum Input Rating (BTU/Hr)	18,500	21,600		
Burner Orifice (DMS)	52	36		
Output Rating (BTU/Hr) No Fan	24,800	26,600		
Pressure Specifications	L.P.	N. G.	IN.	CM.
Manifold Pressure HI Setting (In W.C.)	11.0"	3.5"	Unit to Sidewall	15.0 38.10
Manifold Pressure LO Setting (In W.C.)	2.7"	1.7"	Unit to Backwall	1.5 3.80
Minimum Inlet Pressure (In W.C.)	11.5"	5.5"	Unit to Cornerwall	3.0 7.60
			Alcove Minimum Width	50.0 127.00
			Alcove Maximum Depth	32.0 81.30
			Mantle Height Above Unit	1.5 3.81
			Alcove Height	50.0 127.00

Blower Electrical Rating: 115 Volts, 1.5 Amps, 60 Hz.

FAN TYPE VENTED CIRCULATOR

WARNING:

Operation of this heater when not connected to a properly installed and maintained venting system or tampering with the vent safety shutoff system can result in carbon monoxide (CO) poisoning and possible death.

Improper installation, adjustment, alteration, service or maintenance can cause injury or property damage.

Refer to the information in the owner's manual provided with this appliance. For assistance or additional information consult a qualified installer, service agency or the gas supplier.

Risk of electrical shock. Disconnect power before servicing unit.

**This heater must be properly connected to a venting system.
This heater is equipped with a vent safety shutoff system.**


NOTE: For use with glass door certified with the appliance only.

DANGER: RISK OF ELECTRICAL SHOCK.
DISCONNECT POWER BEFORE SERVICING UNIT.
DO NOT RUN POWER CORD UNDER APPLIANCE.
KEEP BURNER AND CONTROL COMPARTMENT CLEAN.
SEE INSTALLATION AND OPERATING INSTRUCTIONS.

FIGURE 12 – PARLOUR DIRECT VENT LABORATORY LISTING LABEL (1995 – 2004)



Thelin Co.
Grass Valley, CA



DO NOT REMOVE THIS LABEL
INSTALL AND USE ONLY IN ACCORDANCE WITH MANUFACTURER'S INSTALLATION AND OPERATING INSTRUCTIONS. CONTACT LOCAL BUILDING OFFICIALS ABOUT RESTRICTIONS AND INSTALLATION INSPECTION IN YOUR AREA.

MODEL No. MAX. BTU INPUT

G A S	Parlour 3000	31,000 NG
	DV Gas	28,000 LP

DATE OF MFG. SERIAL No.

--	--

Vented Gas Fireplace Heater-Not For Use With Solid Fuel
Tested to ANSI Z21.88-1998, CSA 2.33-M08 Vented Gas Fireplace Heaters, and CAN/CGA 2.17
 This vented gas heater is not for use with air filters.

This unit is equipped for use with NATURAL GAS PROPANE (L.P.)

Input and Orifice Specifications	N.G.	L.P.	Minimum Clearance to Combustibles:	
Maximum Input Rating (BTU/Hr)	31,000	28,000		
Minimum Input Rating (BTU/Hr)	18,600	16,800	Unit to Sidewall	10 255mm
Burner Orifice (DMS)	39	53	Unit to Backwall	4 100mm
Output Rating (BTU/Hr) No Fan	23,560	21,000	Unit to Cornerwall	8 205mm
Altitude	0-4500 ft. (0-1372m)		Alcove Minimum Width	50 1270mm
Pressure Specifications			Alcove Maximum Depth	32 815mm
Manifold Pressure HI Setting (In W.C.)	3.5"	11.0"	Alcove Height	50 1270mm
Manifold Pressure LO Setting (In W.C.)	1.7"	3.5"		
Minimum Inlet Pressure (In W.C.)	5.5"	11.5"		

Blower Electrical Rating: 115 Volts, 1.5 Amps, 60 Hz. **FAN TYPE VENTED CIRCULATOR**

WARNING:

Operation of this heater when not connected to a properly installed and maintained direct venting system can result in injury and possible death.
 Improper installation, adjustment, alteration, service or maintenance can cause injury or property damage.
 Refer to the information in the owner's manual provided with this appliance. For assistance or additional information consult a qualified installer, service agency or the gas supplier.
 Risk of electrical shock. Disconnect power before servicing unit.
 This appliance may be installed in a mobile home and sleeping room provided the wall thermostat option is used.


This appliance is only for use with the type of gas indicated on the rating plate and may be installed in an aftermarket, permanently located, manufactured (mobile) home where not prohibited by local codes. See owner's manual for details.
 This appliance is not convertible for use with other gases, unless a certified kit is used.

This heater must be properly connected to a Simpson Dura Vent GS Venting System.

NOTE: For use with glass door certified with the appliance only.

DANGER:
DO NOT RUN POWER CORD UNDER APPLIANCE.
KEEP BURNER AND CONTROL COMPARTMENT CLEAN.
SEE INSTALLATION AND OPERATING INSTRUCTIONS.


FIGURE 13 – PARLOUR DIRECT VENT LABORATORY LISTING LABEL (OMNI) (2004+)

Tested & Listed By  Beaverton Oregon USA
 OMNI-Test Laboratories, Inc.
 Report No./Rapport Numéro 220-S-03-5

Model/Modèle: Parlour 3000
 Vented Gas Fireplace Heater
 Foyer au Gaz à Évacuation
 Not For Use With Solid Fuel
 Ne Pas Utiliser Avec du Combustible Solide

DATE OF MFG. / DATE DE MANUFACTURIER:

SERIAL NO. / NUMÉRO DE SÉRIE:


 Theelin Company, Inc.
 12400 Loma Rica Drive
 Grass Valley, CA 95945

Tested to/Testé à: ANSI Z21.88b-2003/CSA 2.33b-2003 Vented Gas Fireplace Heaters, and CAN/CGA 2.17.
 This vented gas heater is not for use with air filters / Ne pas utiliser de filtre à air avec ce foyer au gaz à évacuation.

This appliance must be installed in accordance with local codes, if any; if none, follow the National Fuel Gas Code, ANSI Z223.1/NFPA 54, or Natural Gas and Propane Installation Codes, CSA B149.1.
 Installer l'appareil selon les codes ou règlements locaux, ou, en l'absence de tels règlements, selon les codes d'installation ANSI Z223.1/NFPA 54, National Fuel Gas Code, ou CSA-B149.1 en vigueur.

This unit is equipped for use with/Pour nous, cet appareil est équipé avec: NATURAL GAS PROPANE (L.P.)

Input and Orifice Specifications/Spécifications de l'arrivée de gaz et des orifices

	N.G.	L.P.	
Maximum Input Rating (BTU/Hr)	31,000	28,000	Puissance Évaluée à Max. (BTU/Hr)
Minimum Input Rating (BTU/Hr)	18,600	16,800	Puissance Évaluée à Min. (BTU/Hr)
Burner Orifice (DMS)	39	53	Orifice du Brûleur (DMS)
Manifold Pressure HI Setting (in W.C.)	3.5"	10.0"	Pression du collecteur d'Échappement à "HI" (po. W.C.)
Manifold Pressure LO Setting (in W.C.)	1.7"	3.5"	Pression du collecteur d'Échappement à "LO" (po. W.C.)
Minimum Inlet Pressure (in W.C.)	5.5"	11.0"	Pression Minimum de la Valve (po W.C.)

Minimum Clearance to Combustibles / Espaces Libres Minimum Des Matériaux Combustibles:

Unit to Sidewall	10" (255mm)	Mur de côté au poêle
Unit to Backwall	4" (100mm)	Mur de arrière au poêle
Unit to Cornerwall	8" (205mm)	Mur du coin au poêle
Alcove Minimum Width	50" (1270mm)	Largeur Minimum de l'Alcôve
Alcove Maximum Depth	32" (815mm)	Profondeur Maximum de l'Alcôve
Alcove Minimum Height	50" (1270mm)	Hauteur Minimum de l'Alcôve

This appliance is equipped only for altitudes 0-2,000 ft. (0-610m) in USA, and 0-4,500 ft. (0-1370m) in Canada.
 Cet appareil est équipé pour les altitudes de 0-2000' (0-610m) aux États-Unis; et au Canada pour les altitudes de 0-4500' (0-1370m).

Blower Electrical Rating/Évaluation du Ventilateur Électrique: 115 Volts, 1.5 Amps, 60 Hz.
 FAN TYPE VENTED CIRCULATOR/VENTILATEUR CIRCULATOIRE

WARNING:

Operation of this heater when not connected to a properly installed and maintained direct venting system can result in injury and possible death. Improper installation, adjustment, alteration, service or maintenance can cause injury or property damage. Refer to the information in the owner's manual provided with this appliance. For assistance or additional information consult a qualified installer, service agency or the gas supplier.
 Risk of electrical shock. Disconnect power before servicing unit.
 This appliance may be installed in a mobile home and sleeping room provided the wall thermostat option is used.
 This appliance is only for use with the type of gas indicated on the rating plate and may be installed in an aftermarket, permanently located, manufactured (mobile) home where not prohibited by local codes. See owner's manual for details.
 This appliance is not convertible for use with other gases, unless a certified kit is used.

AVERTISSEMENT:

Si cet appareil fonctionne sans être raccordé à un système d'évacuation correctement installé et entretenu, il peut en résulter un empoisonnement au monoxyde de carbone et la mort. Une installation, un réglage, une modification, une réparation ou un entretien mal effectué peut causer des dommages matériels ou des blessures. Voir la notice de l'utilisateur qui accompagne l'appareil. Pour de l'aide ou des renseignements supplémentaires, consultez un installateur, un technicien agréé ou le fournisseur de gaz.
 Il y a risque de décharge électrique. Déconnectez le fil électrique de la prise de contact avant le service.
 Cet appareil peut être utilisé dans un mobile home ou des les chambres à coucher à condition que le thermostat mural soit utilisé.
 Cet appareil doit être utilisé uniquement avec le type de gaz indiqué sur la plaque signalétique. Cet appareil peut être installé dans une maison préfabriquée ou mobile (É.U. seulement) installée à demeure si les règlements locaux le permettent. Voir la notice de l'utilisateur pour plus de renseignements. Cet appareil ne peut pas être utilisé avec d'autres gaz sauf si une trousse de conversion certifiée est fournie.

This heater must be properly connected to a Simpson Dura Vent GS Venting System in accordance with the manufacturer's installation instructions.
 Cet appareil de chauffage doit être correctement installé avec les conduits de cheminée gaz Simpson Dura Vent GS et selon les instructions d'installation du fabricant.


NOTE: For use with glass door certified with the appliance only.
 REMARQUE: Cet appareil ne peut être utilisé qu'avec la porte vitrée certifiée.

DANGER: RISK OF ELECTRICAL SHOCK. DISCONNECT POWER BEFORE SERVICING UNIT. DO NOT RUN POWER CORD UNDER APPLIANCE. KEEP BURNER AND CONTROL COMPARTMENT CLEAN. SEE INSTALLATION AND OPERATING INSTRUCTIONS.
 DANGER: IL Y A RISQUE DE DÉCHARGE ÉLECTRIQUE. DÉCONNECTEZ LE FIL ÉLECTRIQUE DE LA PRISE DE CONTACT AVANT LE SERVICE. ÉLOIGNEZ LE FIL ÉLECTRIQUE DE L'APPAREIL. NE PAS FAIRE PASSER LE FIL ÉLECTRIQUE AU DESSUS OU EN DESSOUS DE L'APPAREIL. S'ASSURER QUE LE BRÛLEUR ET LE COMPARTIMENT DES COMMANDE SONT PROPRES. VOIR LES INSTRUCTIONS D'INSTALLATION ET D'UTILISATION QUI ACCOMPAGNENT L'APPAREIL.


DO NOT REMOVE THIS LABEL/NE PAS ENLEVER L'ÉTIQUETTE

IGN

FIGURE 14 – GNOME DIRECT VENT LABORATORY LISTING LABEL (1995 – 2004)



Thelin Co.
Grass Valley, CA



DO NOT REMOVE THIS LABEL

INSTALL AND USE ONLY IN ACCORDANCE WITH MANUFACTURER'S INSTALLATION AND OPERATING INSTRUCTIONS. CONTACT LOCAL BUILDING OFFICIALS ABOUT RESTRICTIONS AND INSTALLATION INSPECTION IN YOUR AREA.

MODEL No. MAX. BTU INPUT

G	Gnome	22,000 NG
A	DV Gas	21,500 LP
S		

DATE OF MFG. SERIAL No.

--	--

Vented Gas Fireplace Heater-Not For Use With Solid Fuel

Tested to ANSI Z21.88-1988, CSA 2.33-M98 Vented Gas Fireplace Heaters, and CAN/CGA 2.17
This vented gas heater is not for use with air filters.

This unit is equipped for use with **NATURAL GAS** **PROPANE (L.P.)**

Input and Orifice Specifications	N.G.	L.P.	Minimum Clearance to Combustibles:	
			IN.	MM.
Maximum Input Rating (BTU/Hr)	22,000	21,500	Unit to Sidewall	8 205mm
Minimum Input Rating (BTU/Hr)	13,200	12,900	Unit to Backwall	4 100mm
Burner Orifice (DMS)	43	55	Unit to Cornerwall	8 205mm
Output Rating (BTU/Hr) No Fan	17,160	16,985	Alcove Minimum Width	45 1145mm
Altitude	0-4500 ft. (0-1372m)		Alcove Maximum Depth	27 685mm
Pressure Specifications			Alcove Height	45 1145mm
Manifold Pressure HI Setting (In W.C.)	3.5"	11.0"		
Manifold Pressure LO Setting (In W.C.)	1.7"	2.7"		
Minimum Inlet Pressure (In W.C.)	5.5"	11.5"		

Blower Electrical Rating: 115 Volts, 1.5 Amps, 60 Hz. **FAN TYPE VENTED CIRCULATOR**

WARNING:

Operation of this heater when not connected to a properly installed and maintained direct venting system can result in injury and possible death.

Improper installation, adjustment, alteration, service or maintenance can cause injury or property damage. Refer to the information in the owner's manual provided with this appliance. For assistance or additional information consult a qualified installer, service agency or the gas supplier.

Risk of electrical shock. Disconnect power before servicing unit.

This appliance may be installed in a mobile home and sleeping room provided the wall thermostat option is used.

This heater must be properly connected to a Simpson Dura Vent GS Venting System.

NOTE: For use with glass door certified with the appliance only.

DANGER: RISK OF ELECTRICAL SHOCK. DISCONNECT POWER BEFORE SERVICING UNIT. DO NOT RUN POWER CORD UNDER APPLIANCE. KEEP BURNER AND CONTROL COMPARTMENT CLEAN. SEE INSTALLATION AND OPERATING INSTRUCTIONS.

FIGURE 15 – GNOME DIRECT VENT LABORATORY LISTING LABEL (OMNI) (2004+)

Tested & Listed By Beaverton Oregon USA

OMNI-Test Laboratories, Inc.
Report No./Rapport Numéro 220-S-02-5

Model/Modèle: Gnome
Vented Gas Fireplace Heater
Foyer au Gaz à Évacuation
Not For Use With Solid Fuel
Ne Pas Utiliser Avec du Combustible Solide

DATE OF MFG. / DATE DU MANUFACTURIER:

SERIAL NO. / NUMÉRO DE SÉRIE:

THELIN
MANUFACTURER OF
PUEBLO GAS & WOOD STOVES

Thelin Company, Inc.
12400 Loma Rica Drive
Grass Valley, CA 95945

Tested to/Testé à: ANSI Z21.88b-2003/CSA 2.33b-2003 Vented Gas Fireplace Heaters, and CAN/CGA 2.17.
This vented gas heater is not for use with air filters / Ne pas utiliser de filtre à air avec ce foyer au gaz à évacuation.

This appliance must be installed in accordance with local codes, if any; if none, follow the National Fuel Gas Code, ANSI Z223.1/NFPA 54, or Natural Gas and Propane Installation Codes, CSA B149.1.
Installer l'appareil selon les codes ou règlements locaux, ou, en l'absence de tels règlements, selon les codes d'installation ANSI Z223.1/NFPA 54, National Fuel Gas Code, ou CSA-B149.1 en vigueur.

This unit is equipped for use with/Pour nous, cet appareil est équipé avec: NATURAL GAS PROPANE (L.P.)

Input and Orifice Specifications/Spécifications de l'arrivée de gaz et des orifices

	N.G.	L.P.	
Maximum Input Rating (BTU/Hr)	22,000	21,500	Puissance Évaluée à Max. (BTU/Hr)
Minimum Input Rating (BTU/Hr)	13,200	12,900	Puissance Évaluée à Min. (BTU/Hr)
Burner Orifice (DMS)	43	55	Orifice du Brûleur (DMS)
Manifold Pressure HI Setting (in W.C.)	3.5"	10.0"	Pression du collecteur d'Échappement à "HI" (po. W.C.)
Manifold Pressure LO Setting (in W.C.)	1.7"	3.5"	Pression du collecteur d'Échappement à "LO" (po. W.C.)
Minimum Inlet Pressure (in W.C.)	5.5"	11.0"	Pression Minimum de la Valve (po W.C.)

Minimum Clearance to Combustibles / Espaces Libres Minimum Des Matériaux Combustibles:

	N.G.	L.P.	
Unit to Sidewall	8" (205mm)	8" (205mm)	Mur de côté au poêle
Unit to Backwall	4" (100mm)	4" (100mm)	Mur de derrière au poêle
Unit to Cornerwall	8" (205mm)	8" (205mm)	Mur du coin au poêle
Alcove Minimum Width	45" (1145mm)	45" (1145mm)	Largeur Minimum de l'Alcôve
Alcove Maximum Depth	27" (685mm)	27" (685mm)	Profondeur Maximum de l'Alcôve
Alcove Minimum Height	45" (1145mm)	45" (1145mm)	Hauteur Minimum de l'Alcôve

This appliance is equipped only for altitudes 0-2,000 ft. (0-610m) in USA, and 0-4,500 ft. (0-1370m) in Canada.
Cet appareil est équipé pour les altitudes de 0-2000' (0-610m) aux États-Unis; et au Canada pour les altitudes de 0-4500' (0-1370m).

Blower Electrical Rating/Évaluation du Ventilateur Électrique: 115 Volts, 1.5 Amps, 60 Hz.
FAN TYPE VENTED CIRCULATOR/VENTILATEUR CIRCULATOIRE

WARNING: Operation of this heater when not connected to a properly installed and maintained direct venting system can result in injury and possible death. Improper installation, adjustment, alteration, service or maintenance can cause injury or property damage. Refer to the information in the owner's manual provided with this appliance. For assistance or additional information consult a qualified installer, service agency or the gas supplier.
Risk of electrical shock. Disconnect power before servicing unit.
This appliance may be installed in a mobile home and sleeping room provided the wall thermostat option is used. This appliance is only for use with the type of gas indicated on the rating plate and may be installed in an aftermarket, permanently located, manufactured (mobile) home where not prohibited by local codes. See owner's manual for details.
This appliance is not convertible for use with other gases, unless a certified kit is used.

AVERTISSEMENT: Si cet appareil fonctionne sans être raccordé à un système d'évacuation correctement installé et entretenu, il peut en résulter un empoisonnement au monoxyde de carbone et la mort. Une installation, un réglage, une modification, une réparation ou un entretien mal effectués peut causer des dommages matériels ou des blessures. Voir la notice de l'utilisateur qui accompagne l'appareil. Pour de l'aide ou des renseignements supplémentaires, consultez un installateur, un technicien agréé ou le fournisseur de gaz.
Il y a risque de décharge électrique. Déconnectez le fil électrique de la prise de contact avant le service. Cet appareil peut être utilisé dans un mobile home ou des les chambres à coucher à condition que le thermostat mural soit utilisé. Cet appareil doit être utilisé uniquement avec le type de gaz indiqué sur la plaque signalétique. Cet appareil peut être installé dans une maison préfabriquée ou mobile (E.U. seulement) installée à demeure si les règlements locaux le permettent. Voir la notice de l'utilisateur pour plus de renseignements. Cet appareil ne peut pas être utilisé avec d'autres gaz sauf si une trousse de conversion certifiée est fournie.

This heater must be properly connected to a Simpson Dura Vent GS Venting System in accordance with the manufacturer's installation instructions. Cet appareil de chauffage doit être correctement installé avec les conduits de cheminée gaz Simpson Dura Vent GS et selon les instructions d'installation du fabricant.


NOTE: For use with glass door certified with the appliance only.
REMARQUE: Cet appareil ne peut être utilisé qu'avec la porte vitrée certifiée.

DANGER: RISK OF ELECTRICAL SHOCK. DISCONNECT POWER BEFORE SERVICING UNIT. DO NOT RUN POWER CORD UNDER APPLIANCE. KEEP BURNER AND CONTROL COMPARTMENT CLEAN. SEE INSTALLATION AND OPERATING INSTRUCTIONS.
DANGER: IL Y A RISQUE DE DÉCHARGE ÉLECTRIQUE. DÉCONNECTEZ LE FIL ÉLECTRIQUE DE LA PRISE DE CONTACT AVANT LE SERVICE. ÉLOIGNEZ LE FIL ÉLECTRIQUE DE L'APPAREIL. NE PAS FAIRE PASSER LE FIL ÉLECTRIQUE AU DESSUS OU EN DESSOUS DE L'APPAREIL. S'ASSURER QUE LE BRÛLEUR ET LE COMPARTIMENT DES COMMANDES SONT PROPRES. VOIR LES INSTRUCTIONS D'INSTALLATION ET D'UTILISATION QUI ACCOMPAGNENT L'APPAREIL.

DO NOT REMOVE THIS LABEL/NE PAS ENLEVER L'ÉTIQUETTE

IGN


FIGURE 16 – ECHO LABORATORY LISTING LABEL (TO 3/6/2007)



Tested & Listed By
OMNI-Test Laboratories, Inc.
Report No./Rapport Numéro 220-9-04-5

Beeverton
Oregon USA

Model/Modèle: Echo
Vented Gas Fireplace Heater
Foyer au Gaz à Évacuation
Not For Use With Solid Fuel
Ne Pas Utiliser Avec du Combustible Solide



THELIN
CO
MANUFACTURER OF
PELLET, GAS & WOOD-BURNERS

DATE OF MFG.
DATE DU MANUFACTURIER

SERIAL NO.
NUMÉRO DE SÉRIE

Thelin Company, Inc.
12400 Loma Rica Drive
Grass Valley, CA 95945

Tested to/Testé à: ANSI Z21.88a-2007/CSA 2.33a-2007 Vented Gas Fireplace Heaters, CAN/CGA 2.17, and CSA P4.1-02.
This vented gas heater is not for use with air filters / Ne pas utiliser de filtre à air avec ce foyer au gaz à évacuation.

This appliance must be installed in accordance with local codes, if any; if none, follow the National Fuel Gas Code, ANSI Z223.1/NFPA 54, or Natural Gas and Propane Installation Codes, CSA B149.1.
Installer l'appareil selon les codes ou règlements locaux, ou, en l'absence de tels règlements, selon les codes d'installation ANSI Z223.1/NFPA 54, National Fuel Gas Code, ou CSA-B149.1 en vigueur.

This unit is equipped for use with/Pour nous, cet appareil est équipé avec: NATURAL GAS PROPANE (L.P.)

Input and Orifice Specifications/Spécifications de l'arrivée de gaz et des orifices

	N.G.	L.P.	
Maximum Input Rating (BTU/Hr)	31,000	31,000	Puissance Évaluée à Max. (BTU/Hr)
Minimum Input Rating (BTU/Hr)	18,400	22,000	Puissance Évaluée à Min. (BTU/Hr)
Burner Orifice (DMS)	.35	.53	Orifice du Brûleur (DMS)
Manifold Pressure HI Setting (in W.C.)	3.5"	10.0"	Pression du collecteur d'Échappement à "HI" (po. W.C.)
Manifold Pressure LO Setting (in W.C.)	1.7"	3.5"	Pression du collecteur d'Échappement à "LO" (po. W.C.)
Minimum Inlet Pressure (in W.C.)	5.0"	11.5"	Pression Minimum de la Vanne (po W.C.)

Minimum Clearance to Combustibles / Espaces Libres Minimum Des Matériaux Combustibles:

Unit to Sidelwall	8"	Mur de côté au poêle	(150 mm)
Unit to Backwall	9"	Mur de derrière au poêle	(230 mm)
Unit to Cornerwall	8"	Mur du coin au poêle	(205 mm)
Alcove Minimum Width	39"	Largeur Minimum de l'Alcôve	(990 mm)
Alcove Maximum Depth	36"	Profondeur Maximum de l'Alcôve	(915 mm)
Alcove Minimum Height	47"	Hauteur Minimum de l'Alcôve	(1195 mm)

This appliance is equipped only for altitudes 0-2,000 ft. (0-610m) in USA, and 0-4,500 ft. (0-1370m) in Canada.
Cet appareil est équipé pour les altitudes de 0-2000' (0-610m) aux États-Unis; et au Canada pour les altitudes de 0-4500' (0-1370m).

Blower Electrical Rating/Évaluation du Ventilateur Électrique: 115 Volts, 1.5 Amps, 60 Hz.
FAN TYPE VENTED CIRCULATOR/VENTILATEUR CIRCULATOIRE

WARNING: Operation of this heater when not connected to a properly installed and maintained direct venting system can result in injury and possible death. Improper installation, adjustment, alteration, service or maintenance can cause injury or property damage. Refer to the information in the owner's manual provided with this appliance. For assistance or additional information consult a qualified installer, service agency or the gas supplier.
Risk of electrical shock. Disconnect power before servicing unit.
This appliance may be installed in a mobile home and sleeping room provided the wall thermostat option is used. This appliance is only for use with the type of gas indicated on the rating plate and may be installed in an aftermarket, permanently located, manufactured (mobile) home where not prohibited by local codes. See owner's manual for details.
This appliance is not convertible for use with other gases, unless a certified kit is used.

AVERTISSEMENT: Si cet appareil fonctionne sans être raccordé à un système d'évacuation correctement installé et entretenu, il peut en résulter un empoisonnement au monoxyde de carbone et la mort. Une installation, un réglage, une modification, une réparation ou un entretien mal effectué peut causer des dommages matériels ou des blessures. Voir la notice de l'utilisateur qui accompagne l'appareil. Pour de l'aide ou des renseignements supplémentaires, consultez un installateur, un technicien agréé ou le fournisseur de gaz.
Il y a risque de décharge électrique. Déconnectez le fil électrique de la prise de contact avant le service.
Cet appareil peut être utilisé dans un mobile home ou des les chambres à coucher à condition que le thermostat mural soit utilisé. Cet appareil doit être utilisé uniquement avec le type de gaz indiqué sur la plaque signalétique. Cet appareil peut être installé dans une maison préfabriquée ou mobile (É.U. seulement) installée à demeure si les règlements locaux le permettent. Voir la notice de l'utilisateur pour plus de renseignements. Cet appareil ne peut pas être utilisé avec d'autres gaz sauf si une trousse de conversion certifiée est fournie.

This heater must be properly connected to a Simpson Dura Vent GS Venting System in accordance with the manufacturer's installation instructions.
Cet appareil de chauffage doit être correctement installé avec les conduits de cheminée gaz Simpson Dura Vent GS et selon les instructions d'installation du fabricant.


NOTE: For use with glass door certified with the appliance only.
REMARQUE: Cet appareil ne peut être utilisé qu'avec la porte vitrée certifiée.

DANGER: RISK OF ELECTRICAL SHOCK. DISCONNECT POWER BEFORE SERVICING UNIT. DO NOT RUN POWER CORD UNDER APPLIANCE. KEEP BURNER AND CONTROL COMPARTMENT CLEAN. SEE INSTALLATION AND OPERATING INSTRUCTIONS.
DANGER: IL Y A RISQUE DE DÉCHARGE ÉLECTRIQUE. DÉCONNECTEZ LE FIL ÉLECTRIQUE DE LA PRISE DE CONTACT AVANT LE SERVICE. ÉLOIGNEZ LE FIL ÉLECTRIQUE DE L'APPAREIL. NE PAS FAIRE PASSER LE FIL ÉLECTRIQUE AU DESSUS OU EN DESSOUS DE L'APPAREIL. S'ASSURER QUE LE BRÛLEUR ET LE COMPARTIMENT DES COMMANDES SONT PROPRES. VOIR LES INSTRUCTIONS D'INSTALLATION ET D'UTILISATION QUI ACCOMPAGNENT L'APPAREIL.

DO NOT REMOVE THIS LABEL/NE PAS ENLEVER L'ÉTIQUETTE

IGN


FIGURE 17 – ECHO LABORATORY LISTING LABEL (3/7/2007 TO PRESENT)



Tested & Listed By
OMNI-Test Laboratories, Inc.
Report No./Rapport Numéro 220-5-04-5

Beeverton
Oregon USA

Model/Modèle: Echo
Vented Gas Fireplace Heater
Foyer au Gaz à Évacuation
Not For Use With Solid Fuel
Ne Pas Utiliser Avec du Combustible Solide



THELIN
CO
MANUFACTURER OF
PILAT, GAZ & WOOD-BURNERS

DATE OF MFG.
DATE DU MANUFACTURIER

SERIAL NO.
NUMÉRO DE SÉRIE

Thelin Company, Inc.
12400 Loma Rica Drive
Grass Valley, CA 95945

Tested to/Testé à: ANSI Z21.88a-2007/CSA 2.33a-2007 Vented Gas Fireplace Heaters, CAN/CGA 2.17, and CSA P4.1-02.
This vented gas heater is not for use with air filters / Ne pas utiliser de filtre à air avec ce foyer au gaz à évacuation.

This appliance must be installed in accordance with local codes, if any; if none, follow the National Fuel Gas Code, ANSI Z223.1/NFPA 54, or Natural Gas and Propane Installation Codes, CSA B149.1.
Installer l'appareil selon les codes ou règlements locaux, ou, en l'absence de tels règlements, selon les codes d'installation ANSI Z223.1/NFPA 54, National Fuel Gas Code, ou CSA-B149.1 en vigueur.

This unit is equipped for use with/Pour nous, cet appareil est équipé avec: NATURAL GAS PROPANE (L.P.)

Input and Orifice Specifications/Spécifications de l'arrivée de gaz et des orifices

	N.G.	L.P.	
Maximum Input Rating (BTU/Hr)	31,000	31,000	Puissance Évaluée à Max. (BTU/Hr)
Minimum Input Rating (BTU/Hr)	18,400	22,000	Puissance Évaluée à Min. (BTU/Hr)
Burner Orifice (DMS)	.35	.53	Orifice du Brûleur (DMS)
Manifold Pressure HI Setting (in W.C.)	3.5"	10.0"	Pression du collecteur d'Échappement à "HI" (po. W.C.)
Manifold Pressure LO Setting (in W.C.)	1.7"	3.5"	Pression du collecteur d'Échappement à "LO" (po. W.C.)
Minimum Inlet Pressure (in W.C.)	5.0"	11.5"	Pression Minimum de la Vanne (po W.C.)

Minimum Clearance to Combustibles / Espaces Libres Minimum Des Matériaux Combustibles:

Unit to Sidelwall	8"	Mur de côté au poêle	(150 mm)
Unit to Backwall	9"	Mur de derrière au poêle	(230 mm)
Unit to Cornerwall	8"	Mur du coin au poêle	(205 mm)
Alcove Minimum Width	39"	Largeur Minimum de l'Alcôve	(990 mm)
Alcove Maximum Depth	36"	Profondeur Maximum de l'Alcôve	(915 mm)
Alcove Minimum Height	47"	Hauteur Minimum de l'Alcôve	(1195 mm)

This appliance is equipped only for altitudes 0-2,000 ft. (0-610m) in USA, and 0-4,500 ft. (0-1370m) in Canada.
Cet appareil est équipé pour les altitudes de 0-2000' (0-610m) aux États-Unis; et au Canada pour les altitudes de 0-4500' (0-1370m).

Blower Electrical Rating/Évaluation du Ventilateur Électrique: 115 Volts, 1.5 Amps, 60 Hz.
FAN TYPE VENTED CIRCULATOR/VENTILATEUR CIRCULATOIRE

WARNING: Operation of this heater when not connected to a properly installed and maintained direct venting system can result in injury and possible death. Improper installation, adjustment, alteration, service or maintenance can cause injury or property damage. Refer to the information in the owner's manual provided with this appliance. For assistance or additional information consult a qualified installer, service agency or the gas supplier.
Risk of electrical shock. Disconnect power before servicing unit.
This appliance may be installed in a mobile home and sleeping room provided the wall thermostat option is used. This appliance is only for use with the type of gas indicated on the rating plate and may be installed in an aftermarket, permanently located, manufactured (mobile) home where not prohibited by local codes. See owner's manual for details.
This appliance is not convertible for use with other gases, unless a certified kit is used.

AVERTISSEMENT: Si cet appareil fonctionne sans être raccordé à un système d'évacuation correctement installé et entretenu, il peut en résulter un empoisonnement au monoxyde de carbone et la mort. Une installation, un réglage, une modification, une réparation ou un entretien mal effectué peut causer des dommages matériels ou des blessures. Voir la notice de l'utilisateur qui accompagne l'appareil. Pour de l'aide ou des renseignements supplémentaires, consultez un installateur, un technicien agréé ou le fournisseur de gaz.
Il y a risque de décharge électrique. Déconnectez le fil électrique de la prise de contact avant le service.
Cet appareil peut être utilisé dans un mobile home ou des les chambres à coucher à condition que le thermostat mural soit utilisé. Cet appareil doit être utilisé uniquement avec le type de gaz indiqué sur la plaque signalétique. Cet appareil peut être installé dans une maison préfabriquée ou mobile (É.U. seulement) installée à demeure si les règlements locaux le permettent. Voir la notice de l'utilisateur pour plus de renseignements. Cet appareil ne peut pas être utilisé avec d'autres gaz sauf si une trousse de conversion certifiée est fournie.

This heater must be properly connected to a Simpson Dura Vent GS Venting System in accordance with the manufacturer's installation instructions.
Cet appareil de chauffage doit être correctement installé avec les conduits de cheminée gaz Simpson Dura Vent GS et selon les instructions d'installation du fabricant.

NOTE: For use with glass door certified with the appliance only.
REMARQUE: Cet appareil ne peut être utilisé qu'avec la porte vitrée certifiée.

DANGER: RISK OF ELECTRICAL SHOCK. DISCONNECT POWER BEFORE SERVICING UNIT. DO NOT RUN POWER CORD UNDER APPLIANCE. KEEP BURNER AND CONTROL COMPARTMENT CLEAN. SEE INSTALLATION AND OPERATING INSTRUCTIONS.
DANGER: IL Y A RISQUE DE DÉCHARGE ÉLECTRIQUE. DÉCONNECTEZ LE FIL ÉLECTRIQUE DE LA PRISE DE CONTACT AVANT LE SERVICE. ÉLOIGNEZ LE FIL ÉLECTRIQUE DE L'APPAREIL. NE PAS FAIRE PASSER LE FIL ÉLECTRIQUE AU DESSUS OU EN DESSOUS DE L'APPAREIL. S'ASSURER QUE LE BRÛLEUR ET LE COMPARTIMENT DES COMMANDES SONT PROPRES. VOIR LES INSTRUCTIONS D'INSTALLATION ET D'UTILISATION QUI ACCOMPAGNENT L'APPAREIL.

DO NOT REMOVE THIS LABEL/NE PAS ENLEVER L'ÉTIQUETTE IGN

FIGURE 18 – PARLOUR DIRECT VENT VERTICAL PIPE INSTALLATION –
AIR INTAKE RESTRICTOR DISKS

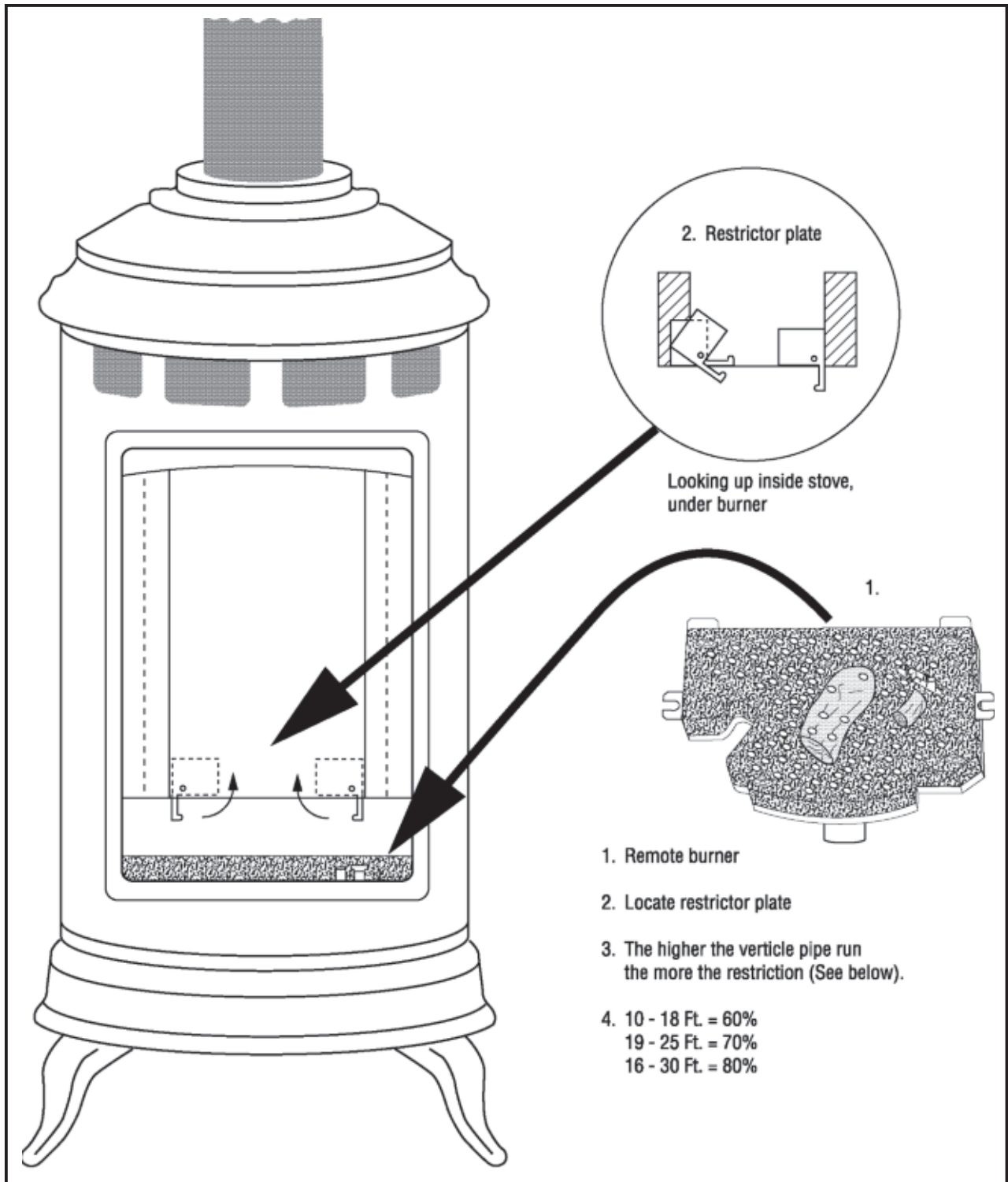


FIGURE 19 - PARLOUR DIRECT VENT STOVE WITH BURNER

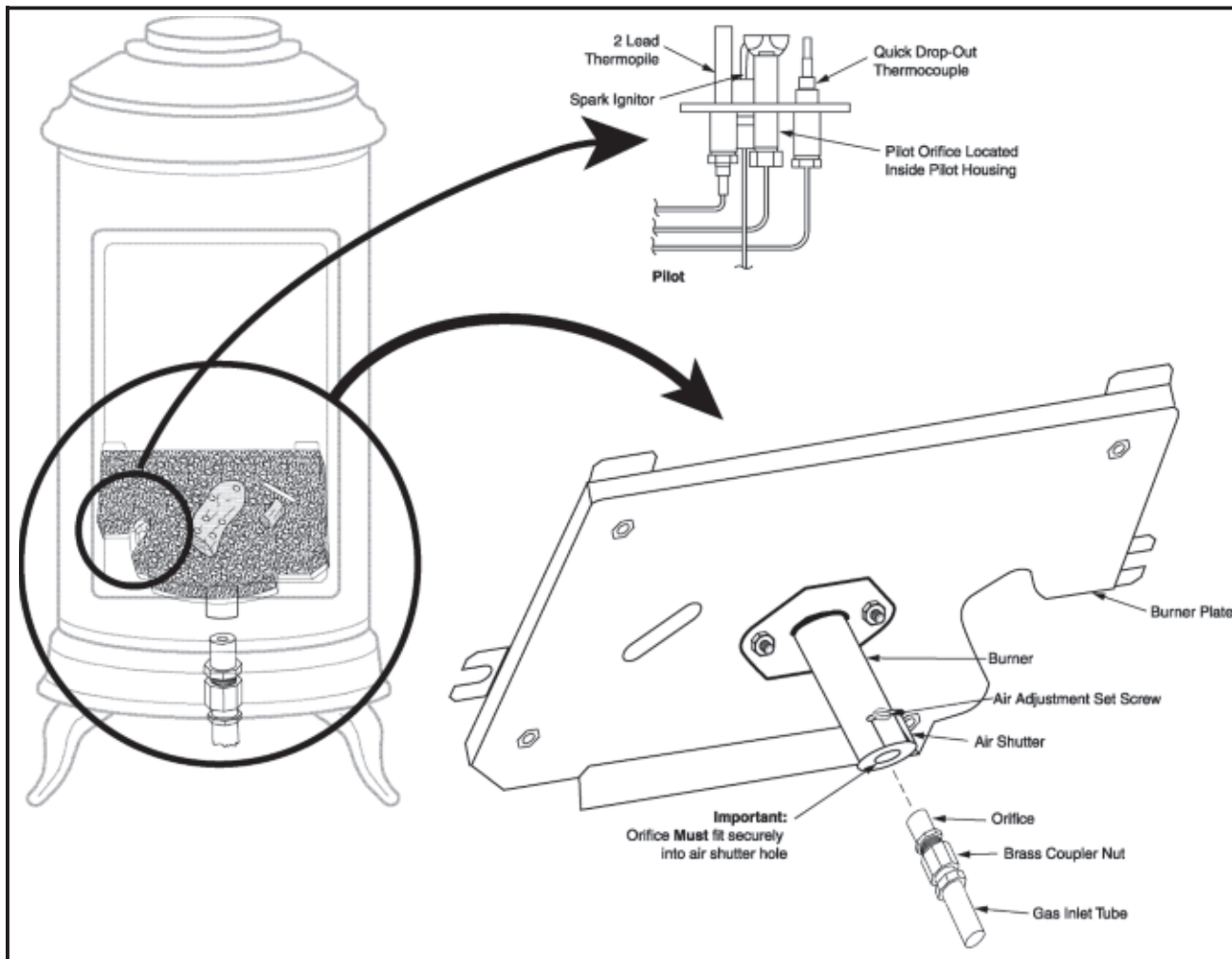


FIGURE 20 - PYROTECH LOG PLACEMENT

1. Ember bed installed with brick panel.



2. Install rear log #2 against brick panel and center right to left.



3. Place small log, #3, with the notch on the bottom setting of the ledge indicated in the illustration



4. Rest the “Y” log, #4, on top of the small log and rear log with the right end against the firebox and the left end against the brick panel and crotch of the rear log.



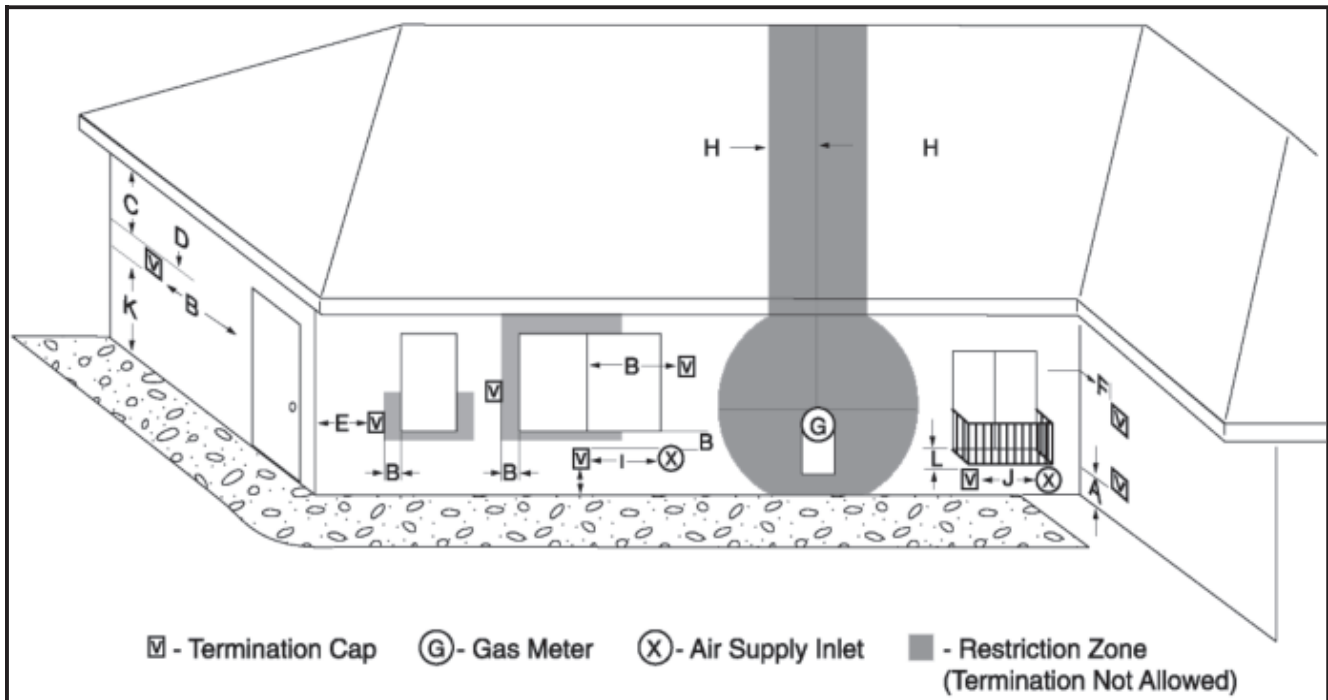
FIGURE 20 – PYROTECH LOG PLACEMENT (CONTINUED)

5. Place the front log #5 against the “Y” log in the notch shown in the illustration with the bottom end up against the lip of the door opening. Note: The bottom of the log has the taper cut.



THELIN HEARTH PRODUCTS

FIGURE 21 – DIRECT VENT GAS HEATER VENT TERMINATION LOCATIONS (1994 – 2004)



The horizontal run must have a 1/4" rise on an exterior wall and must meet all local and national building codes, and must not be easily blocked or obstructed. Termination clearances are as follows (see Figures 2 and 3):

- A. Clearance above ground, verandah, porch, deck, or balcony: 12" minimum (30 cm.)
- B. Clearance to a window or door that may be opened: 9" minimum (23 cm)
- C. Vertical clearance to a ventilated soffit located above the termination within a horizontal distance of 2 feet from the centerline of the termination: 18" minimum (46 cm)
- D. Clearance to an unventilated soffit: 12" minimum (30 cm)
- E. Clearance to an outside corner: 9" (23 cm)
- F. Clearance to an inside corner: 9" (23 cm)
- G. Do not install above a meter/regulator assembly within 3 feet (90 cm) horizontally from the centerline of the meter/regulator
- H. Clearance to a service regulator vent outlet: 6' minimum (1.8 m)
- I. Clearance to non-mechanical air supply inlet to a building or the combustion air inlet to any other appliance: 12" minimum (30 cm)
- J. Clearance to a mechanical air supply inlet: 6' minimum (1.8 m)
- K. Clearance above paved sidewalk or paved driveway located on public property: refer to local code
- L. Clearance under open verandah, porch, deck, or balcony: 12" minimum (30 cm)

Maximum horizontal run 4' after 2' vertical rise.

FIGURE 22 – VENT TERMINATION LOCATIONS (OMNI) (2004+)

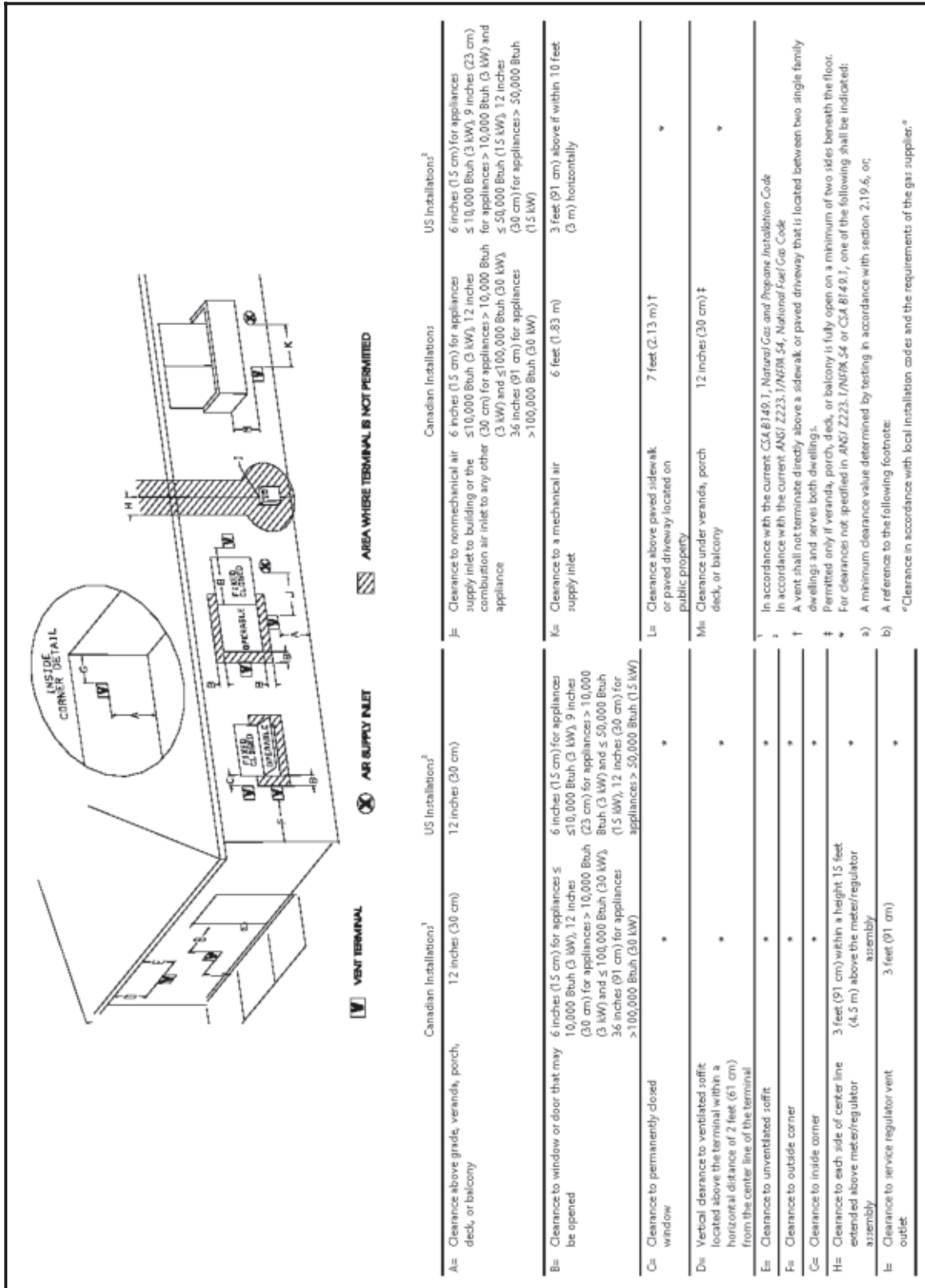


FIGURE 23 – PARLOUR B VENT SIT VALVE (SERIAL # 543-OM)

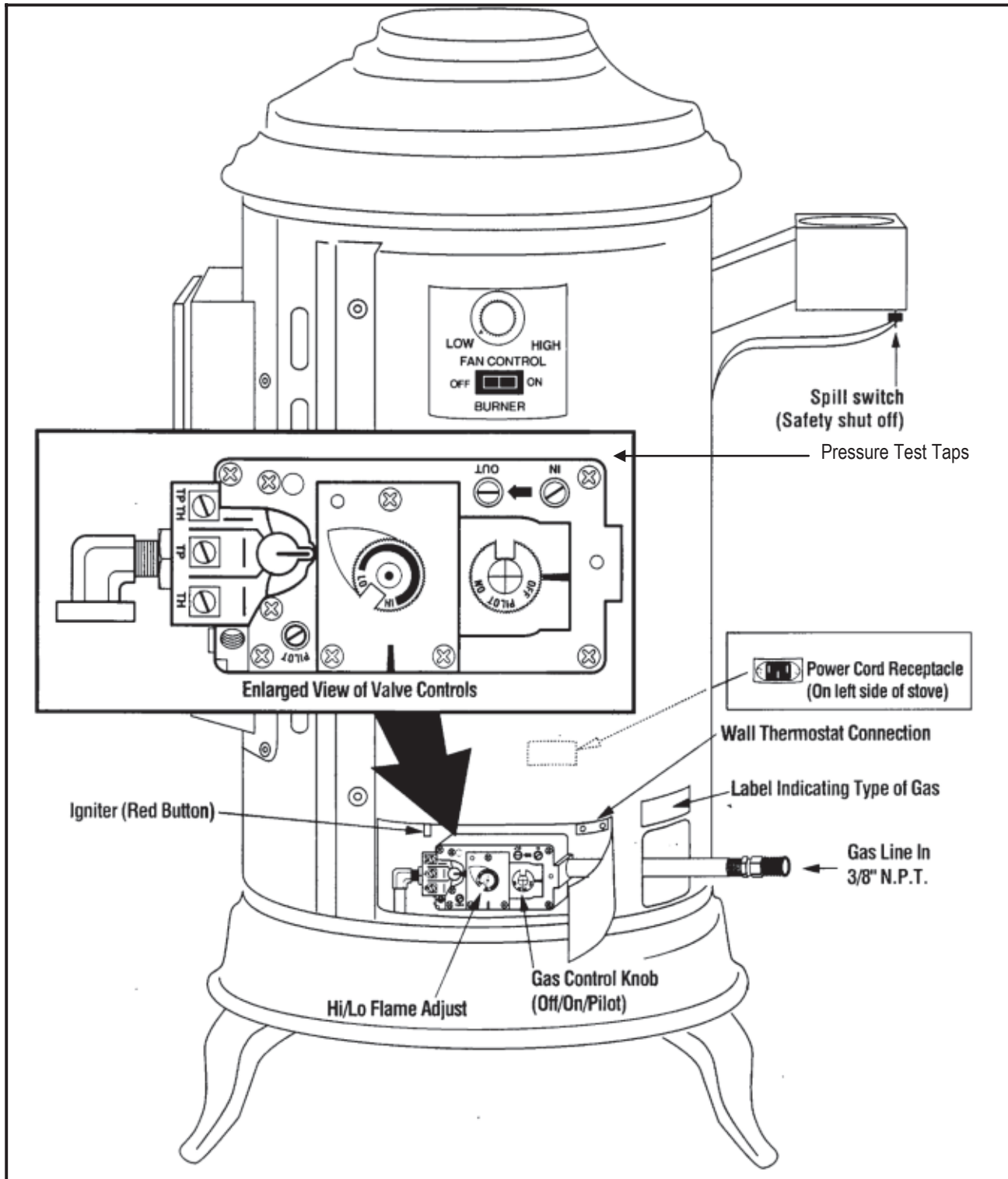


FIGURE 24 – PARLOUR B VENT ROBERT SHAW VALVE (SERIAL # 100-542)

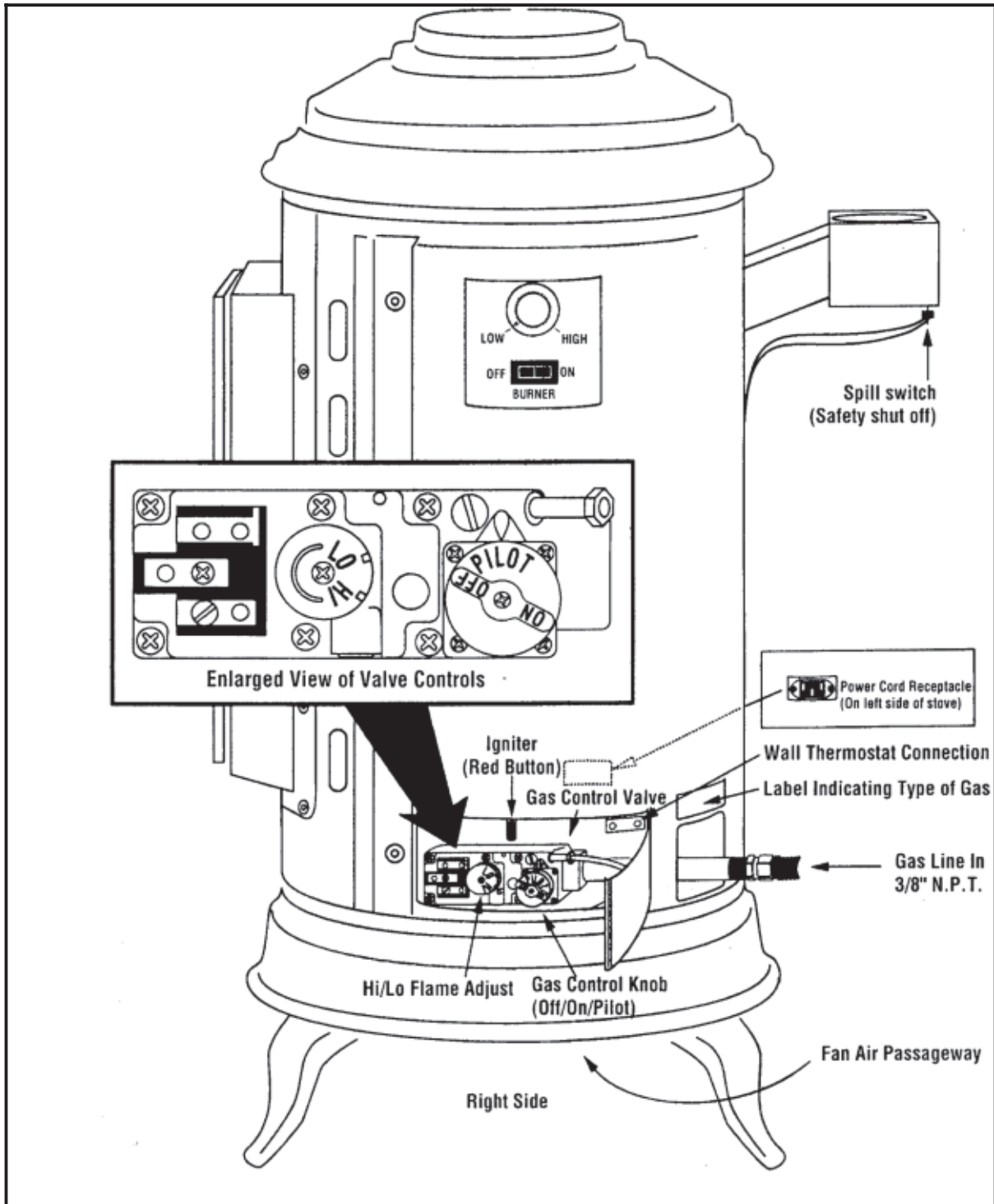


FIGURE 25 – PARLOUR AND GNOME DIRECT VENT SIT VALVE

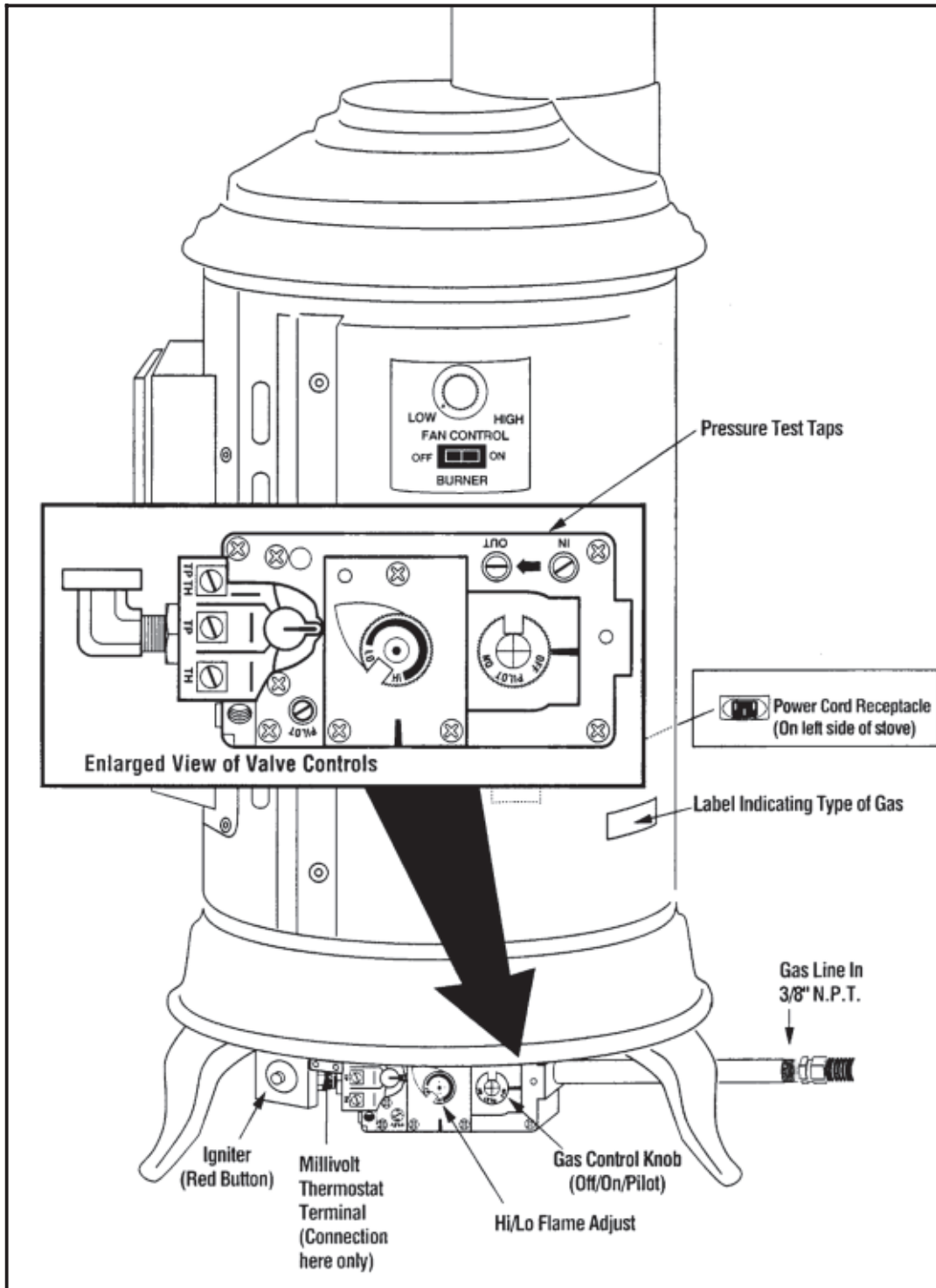


FIGURE 26 – PARLOUR AND GNOME DIRECT VENT ROBERT SHAW VALVE

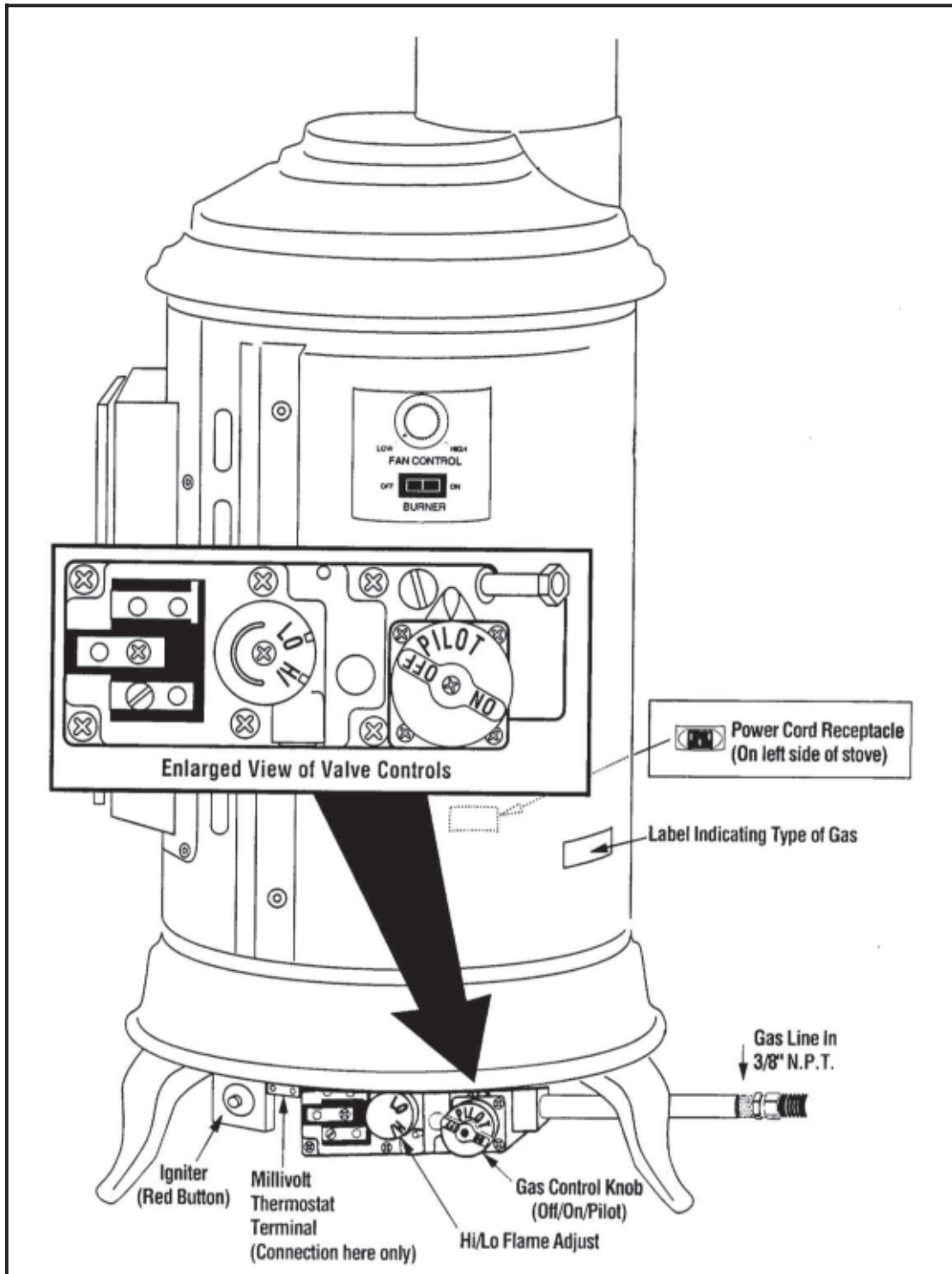


FIGURE 27 – DIAGRAM OF ECHO CONTROL COMPONENTS (SIT VALVE)

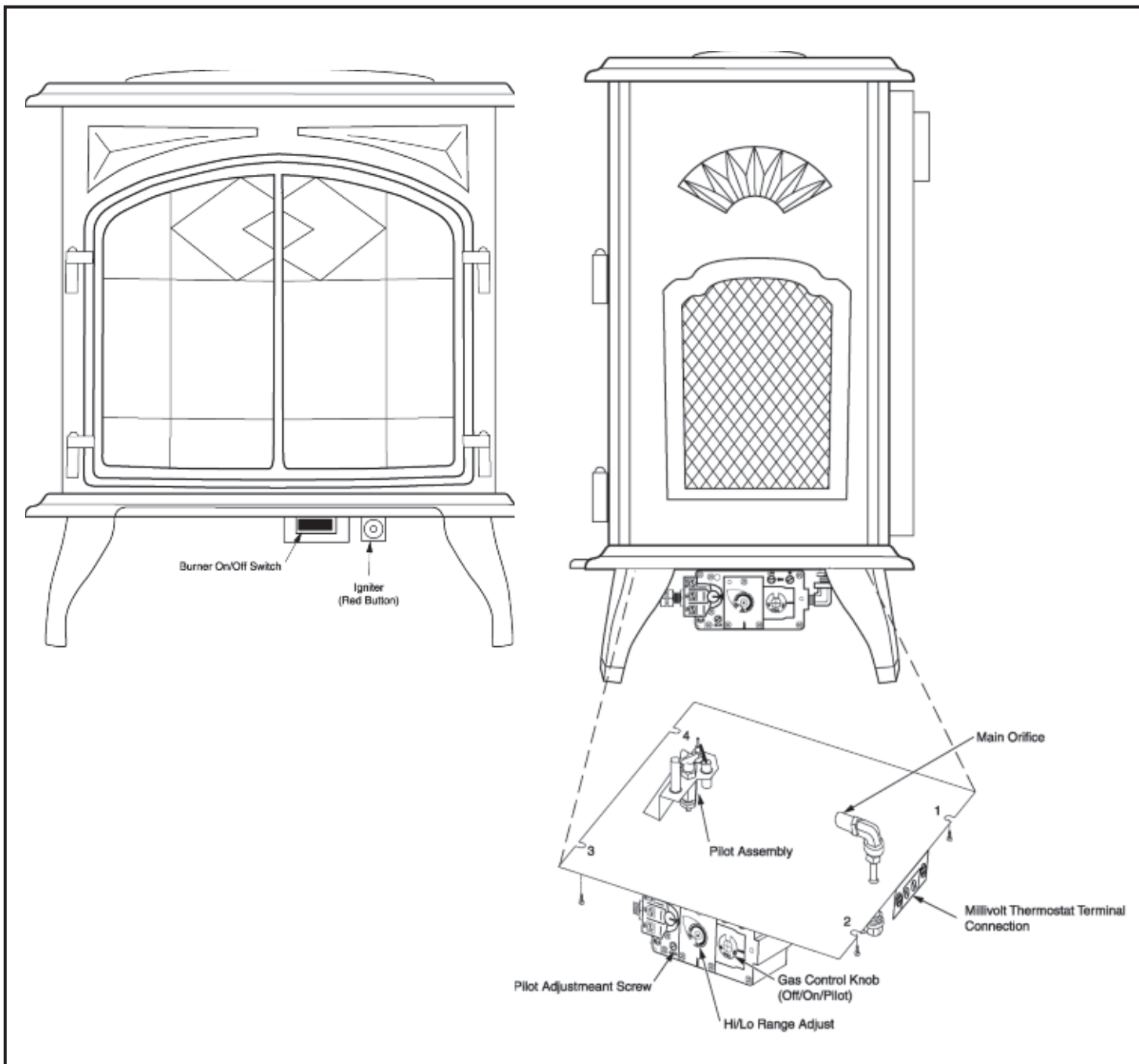
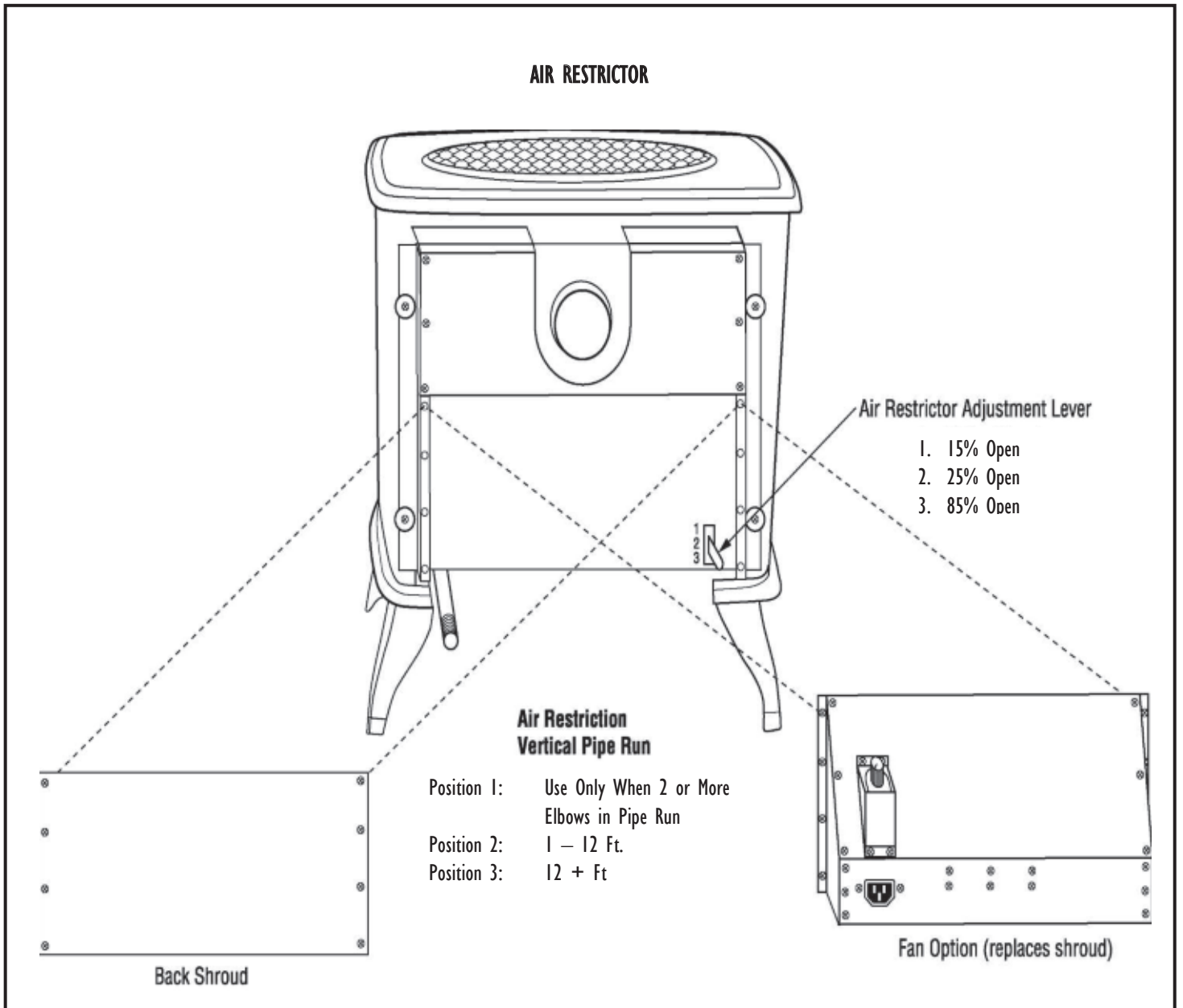
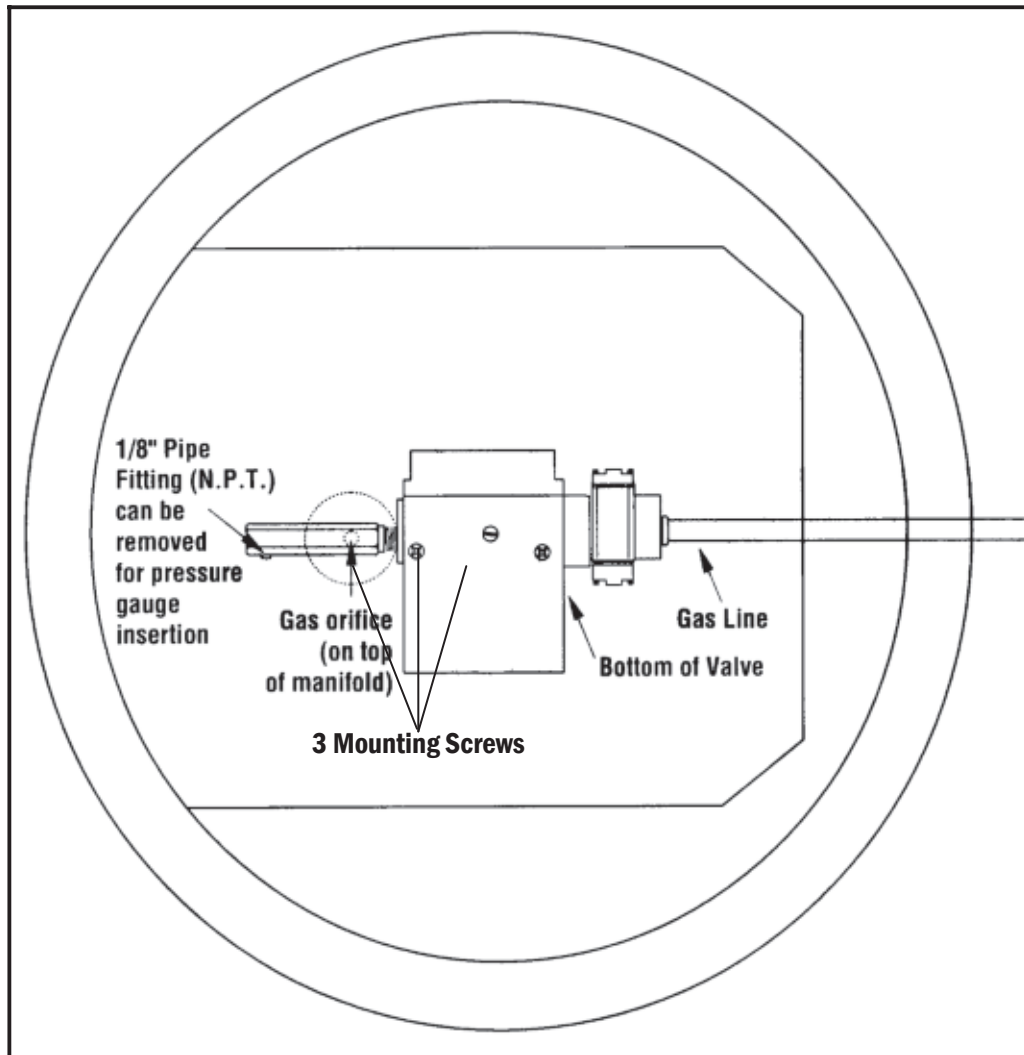


FIGURE 28 – DIAGRAM OF ECHO CONTROL COMPONENTS (AIR RESTRICTOR)



**FIGURE 29 - PARLOUR B VENT AIR SHUTTER AND MANIFOLD/VALVE – SIT VALVE
(BOTTOM VIEW)**



Factory installed orifices are as follows:

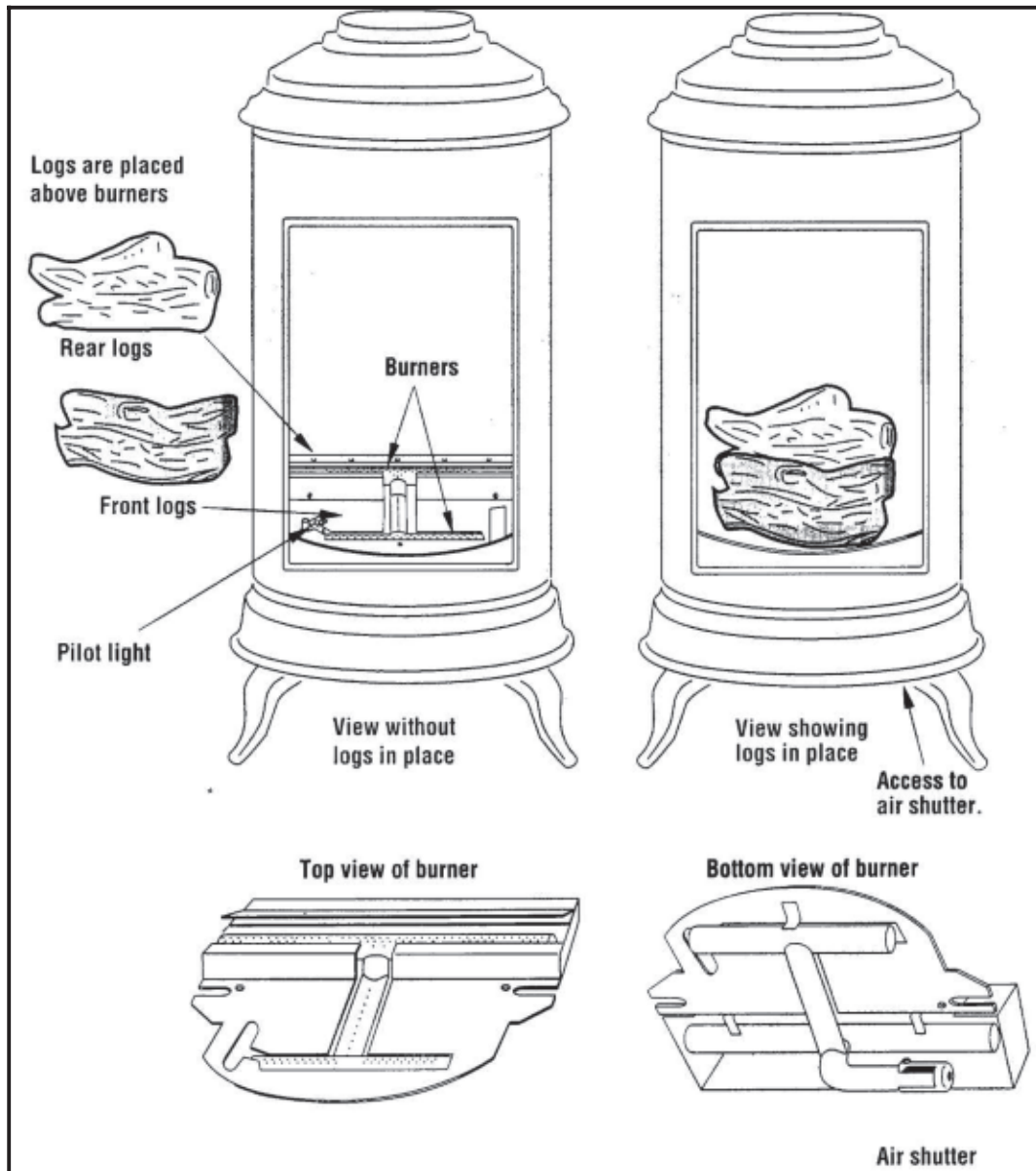
- Natural Gas = #36 (up to 4,500' elevation)
- LP Gas = #52 (up to 4,500' elevation)

Recommendation: If installing at higher altitudes, Thelin Hearth Products recommends, at the discretion of the installer:

- Natural Gas = #37 (5,000' to 7,000' elevation)
- LP Gas = #53 (5,000' to 7,000' elevation)

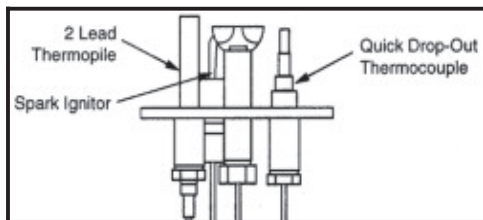
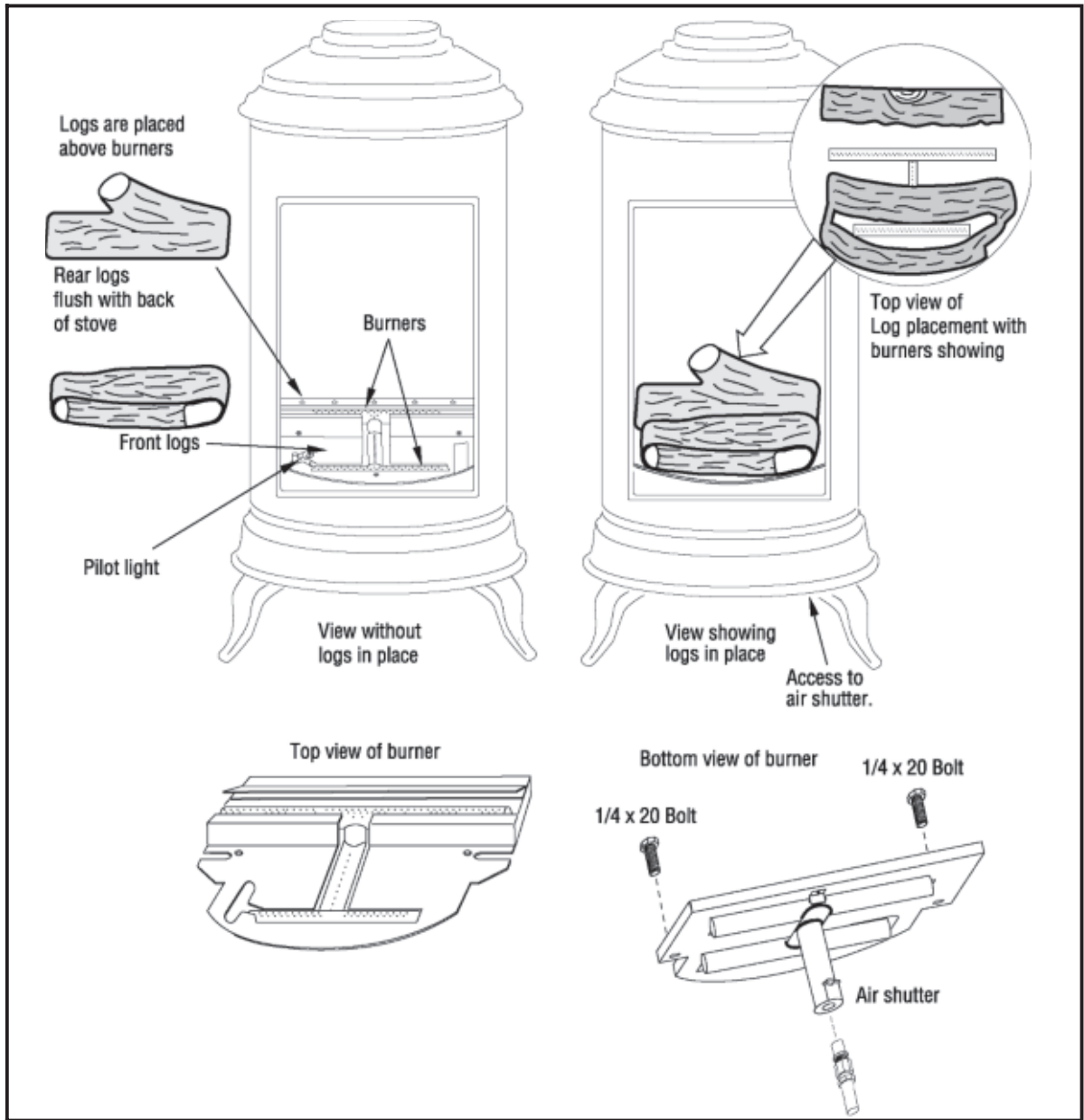
REMEMBER! The size of the orifice hole should be reduced the higher the elevation.

FIGURE 30 – PARLOUR B VENT LOG PLACEMENT AND AIR SHUTTER ADJUST



Pilot Detail
NOTE: Flame must touch thermopile.

FIGURE 31 – PARLOUR DIRECT VENT LOG PLACEMENT AND AIR SHUTTER ADJUST



Pilot Detail
NOTE: Flame must touch thermopile.

FIGURE 32 – GNOME DIRECT VENT LOG PLACEMENT AND AIR SHUTTER ADJUST

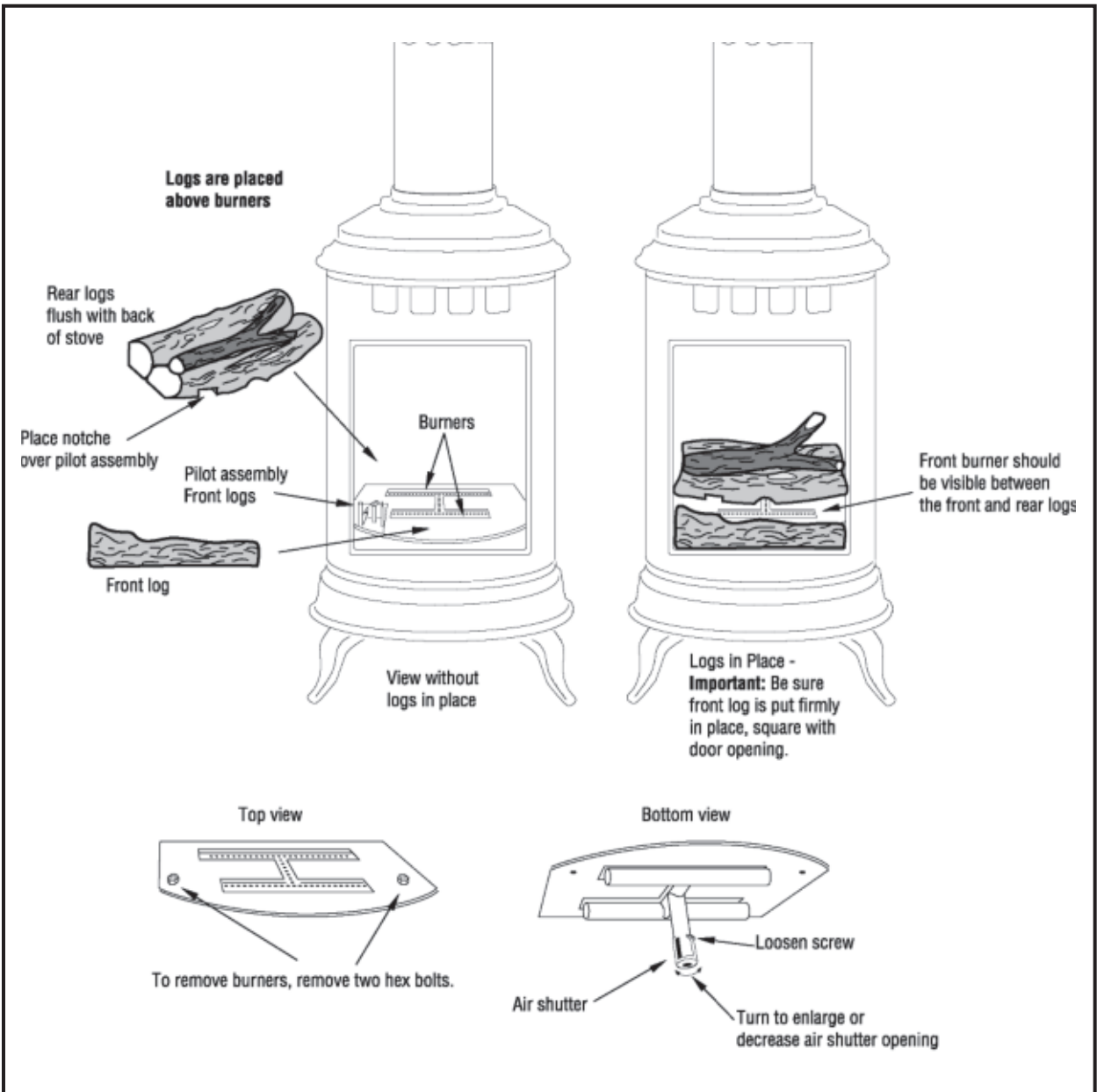


FIGURE 33 – ECHO STOVE WITH LOG & EMBER TRAY PLACEMENT

Following is a step-by-step procedure for installing the Echo log set:

1. Remove top lid and top from stove. Unhook glass door latch (at bottom of stove) and lift out glass door.
2. Install Log #1 as per picture below.



3. Install Log #2 as per picture below.
4. Install Log #3 as per picture below.



5. Install Log #4 as per picture below.
6. Install Ember Tray as per picture below.



ECHO STOVE WITH LOG PLACEMENT (CONTINUED)

7. Install Ember Basket as per picture below.



8. Install Embers as per picture below.



Make sure all logs are secure and not impinging on the burner tubes. Re-install glass door, top, and lid.

You are ready to light your Echo!

FIGURE 34 - ECHO STOVE WITH LOG & EMBER TRAY PLACEMENT

Following is a step-by-step procedure for installing the Echo log set:

1. Remove top lid and top from stove. Unhook glass door latch (at bottom of stove) and lift out glass door.
2. Install Log #1 as per picture below.



3. Install Log #2 as per picture below.
4. Install Log #3 as per picture below.



5. Install Log #4 as per picture below.
6. Install Log #5 as per picture below.

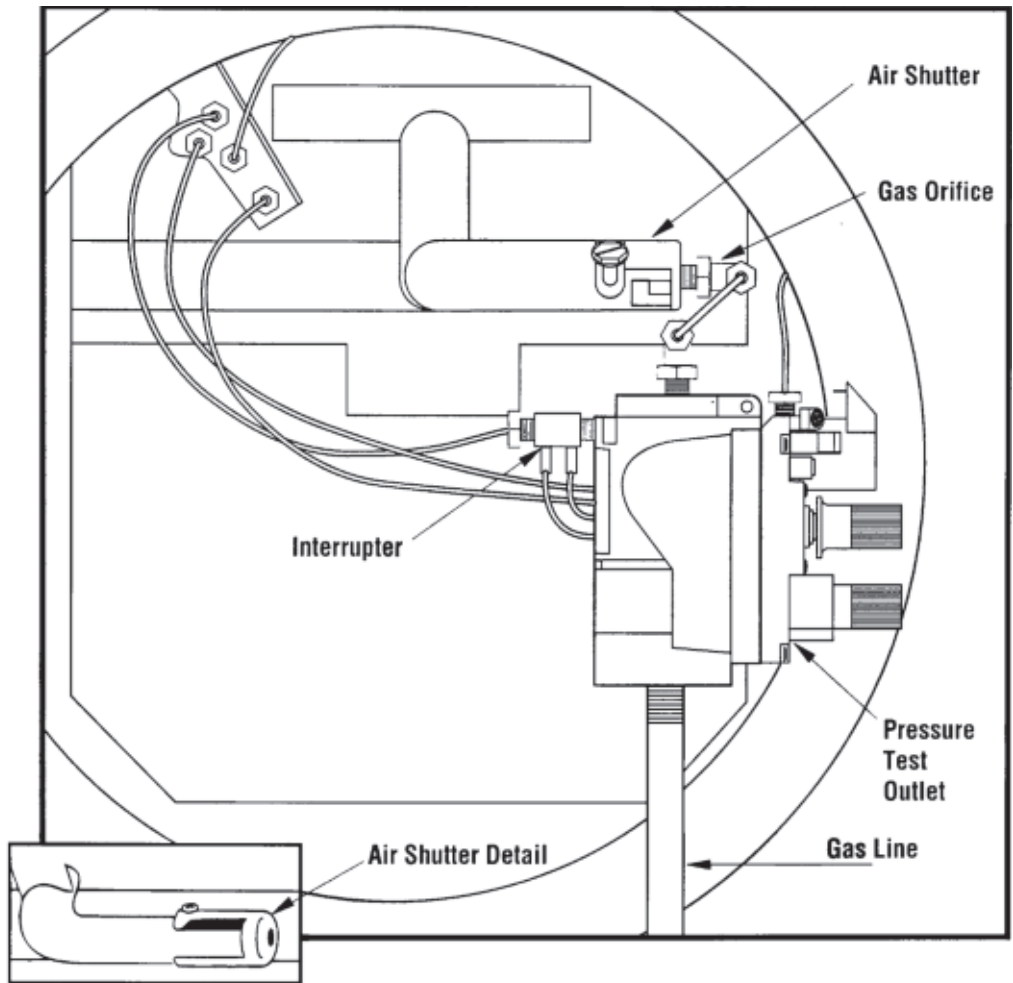


FIGURE 34 - ECHO STOVE WITH LOG & EMBER TRAY PLACEMENT (CONT'D)

7. Make sure all logs are secure and not impinging on the burner. Re-install glass door, top, and lid. You are ready to light your Echo!



FIGURE 35 – PARLOUR B VENT MANIFOLD/VALVE – ROBERT SHAW VALVE
(BOTTOM VIEW)



Factory installed orifices are as follows:

Natural Gas = #36 (up to 4,500' elevation)

LP Gas = #52 (up to 4,500' elevation)

Recommendation: If installing at higher altitudes, Thelin Hearth Products recommends, at the discretion of the installer:

Natural Gas = #37 (5,000' to 7,000' elevation)

LP Gas = #53 (5,000' to 7,000' elevation)

REMEMBER! The size of the orifice hole should be reduced the higher the elevation.

FIGURE 36 – PARLOUR AND GNOME STOVE WITH BURNER REMOVED

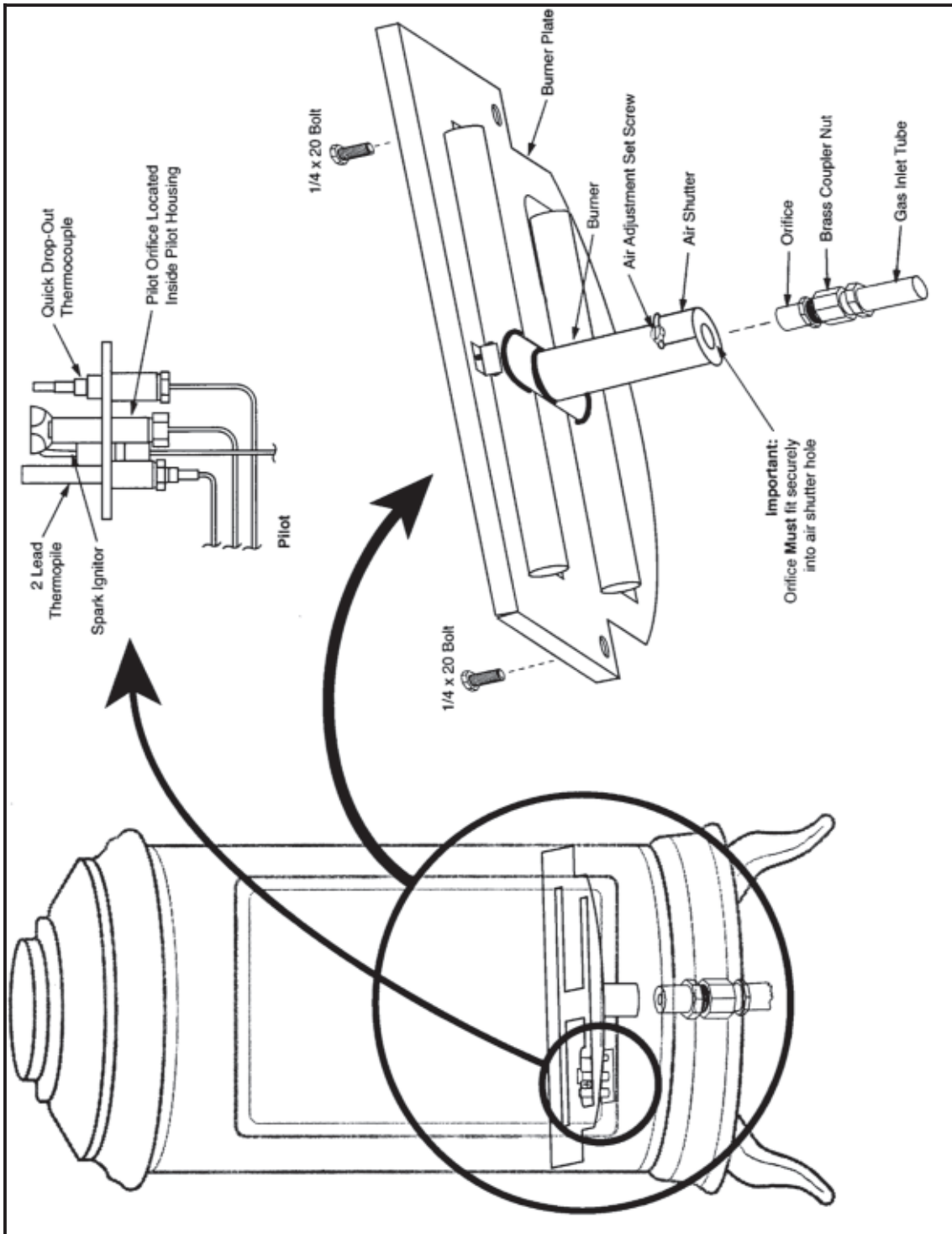


FIGURE 37 – LOCATION OF ECHO PILOT, BURNERS, AND AIR SHUTTER

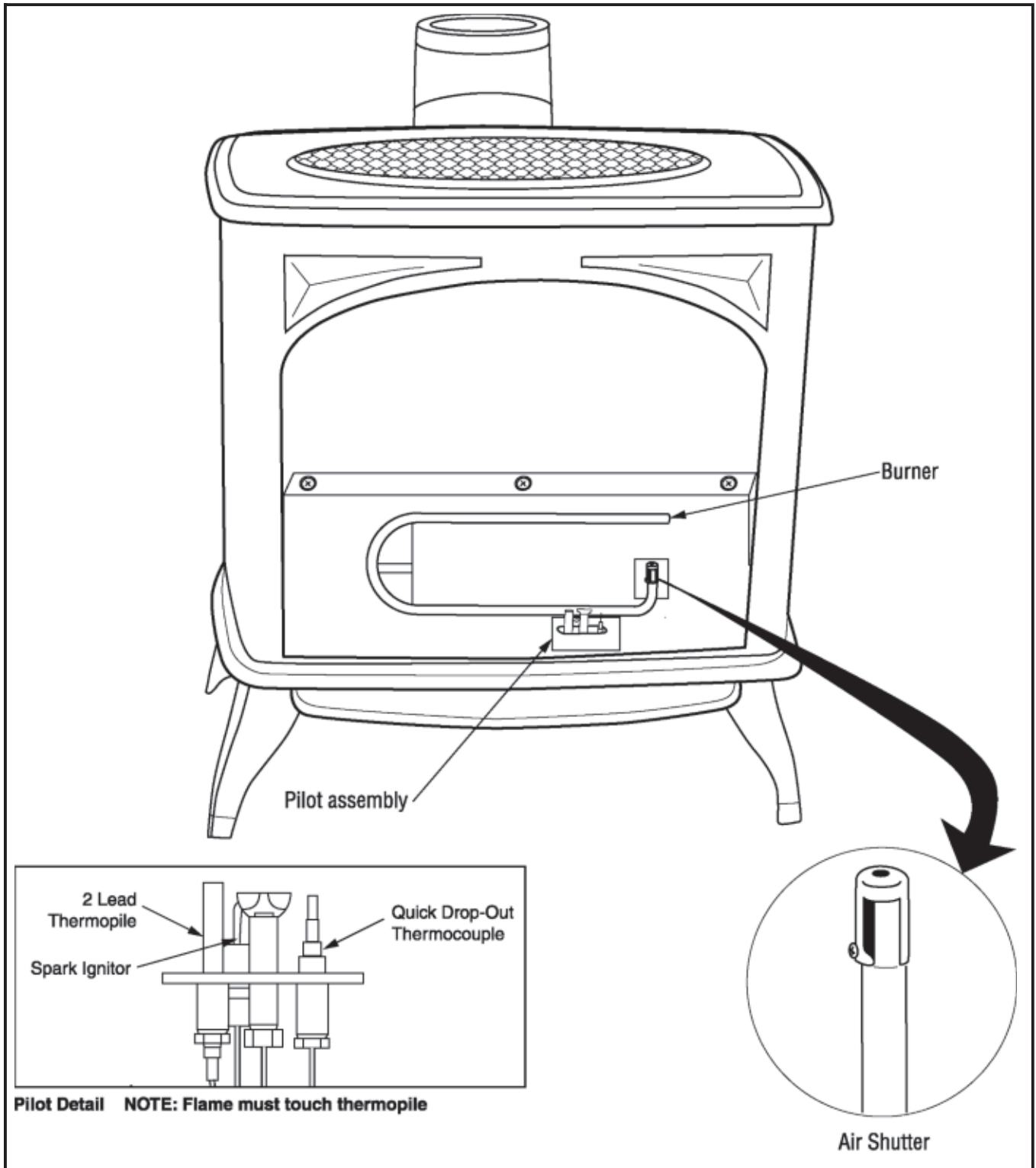
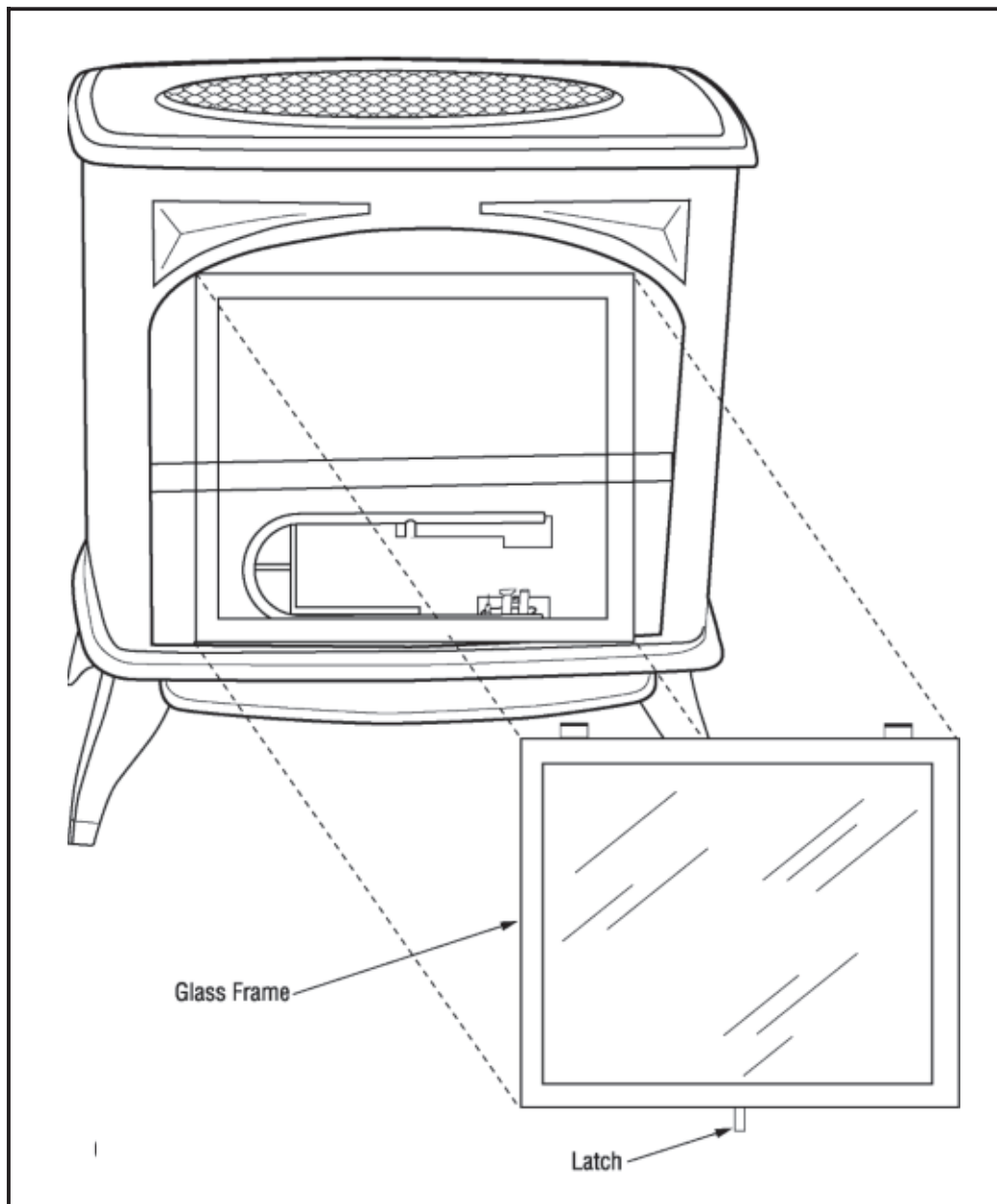


FIGURE 38 – DIRECTIONS FOR ENABLING ECHO DOOR OPENING AND SECURING DOOR



1. Remove stove top to access glass door (Figure 39).
2. Unhook latch at bottom of door.
3. Lift door up and out.

FIGURE 39 – DELAYED ECHO IGNITION SAFETY SHUT DOWN

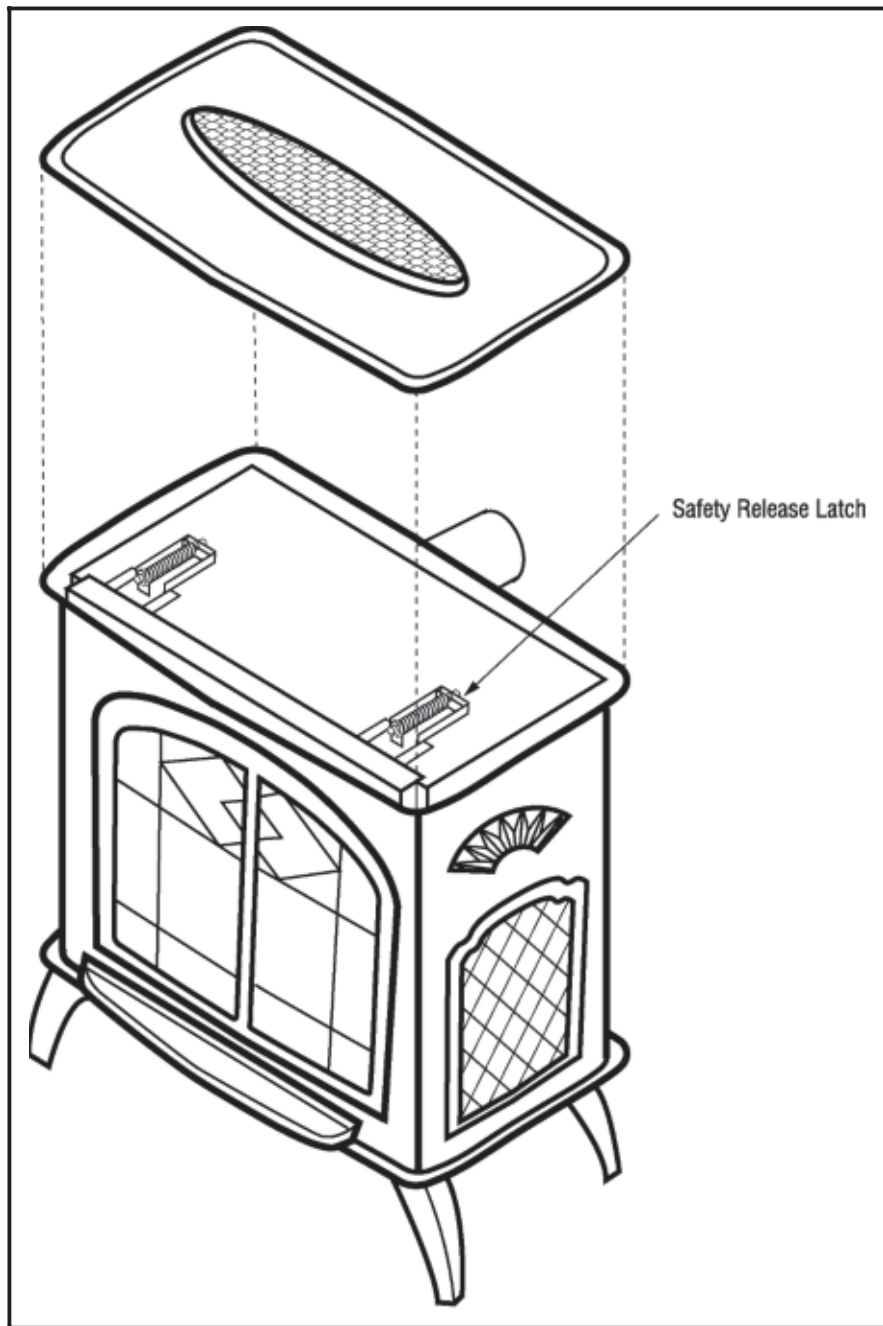


FIGURE 40 – LOCATION OF RESTRICTOR DISKS IN PARLOUR AND GNOME
(1995 – 2004)

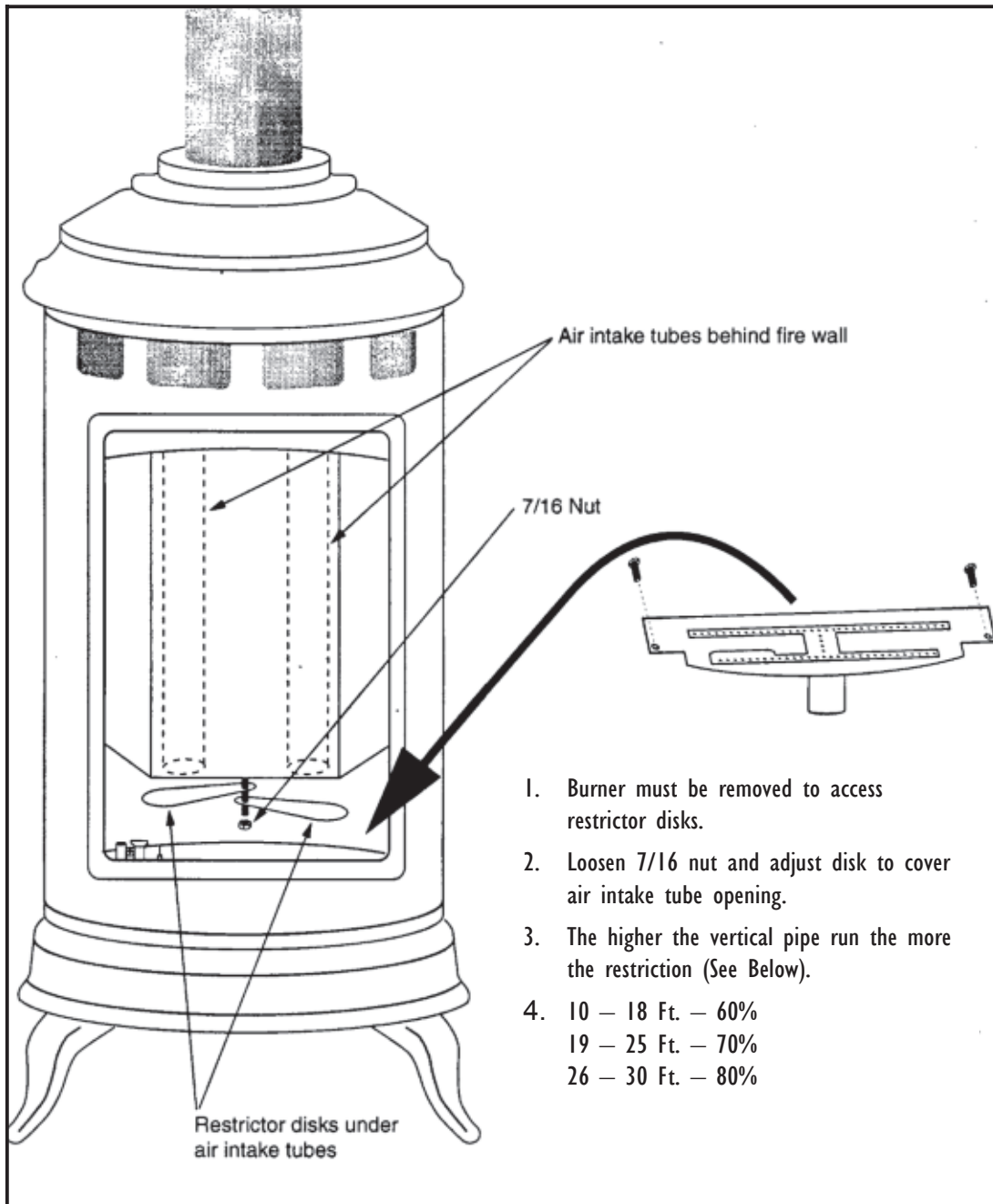


FIGURE 41 – LOCATION OF RESTRICTOR DISKS IN PARLOUR AND GNOME (2004+)

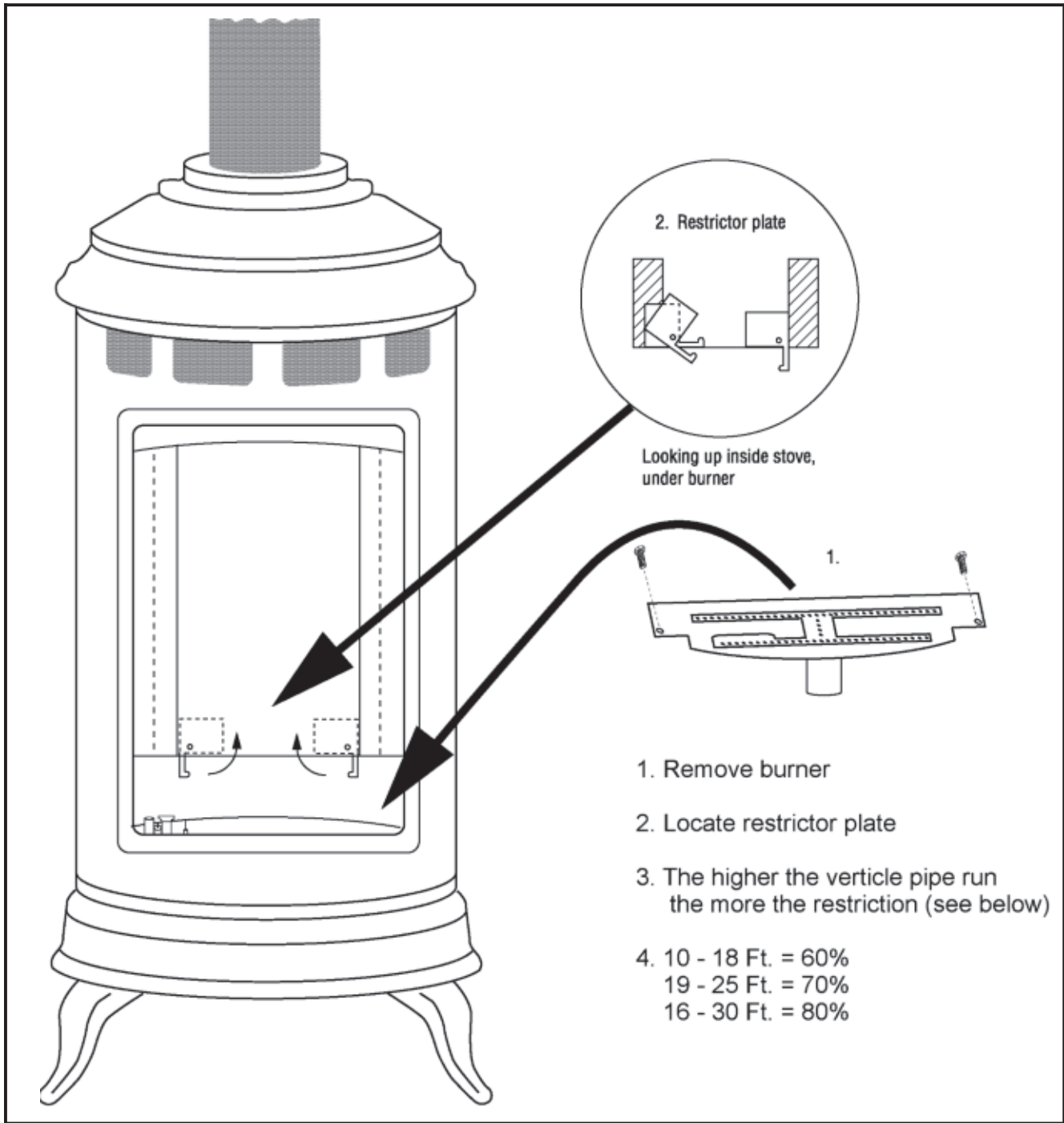
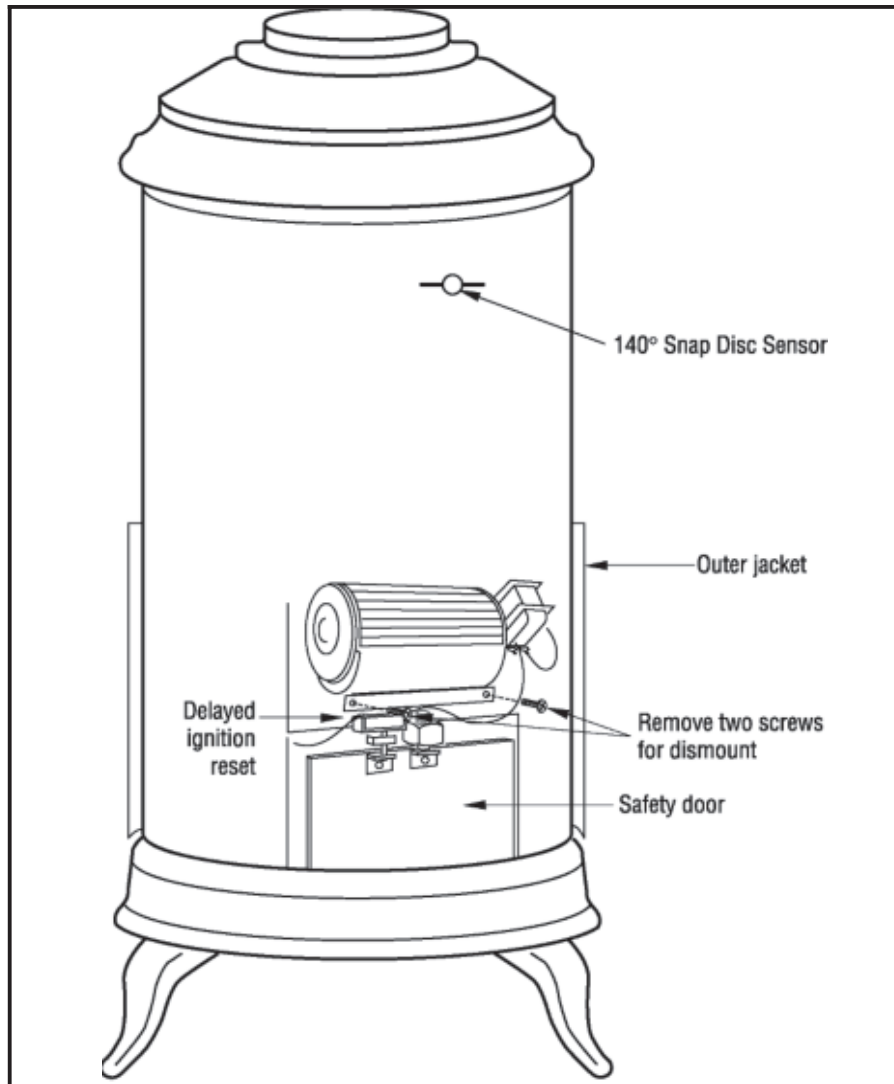


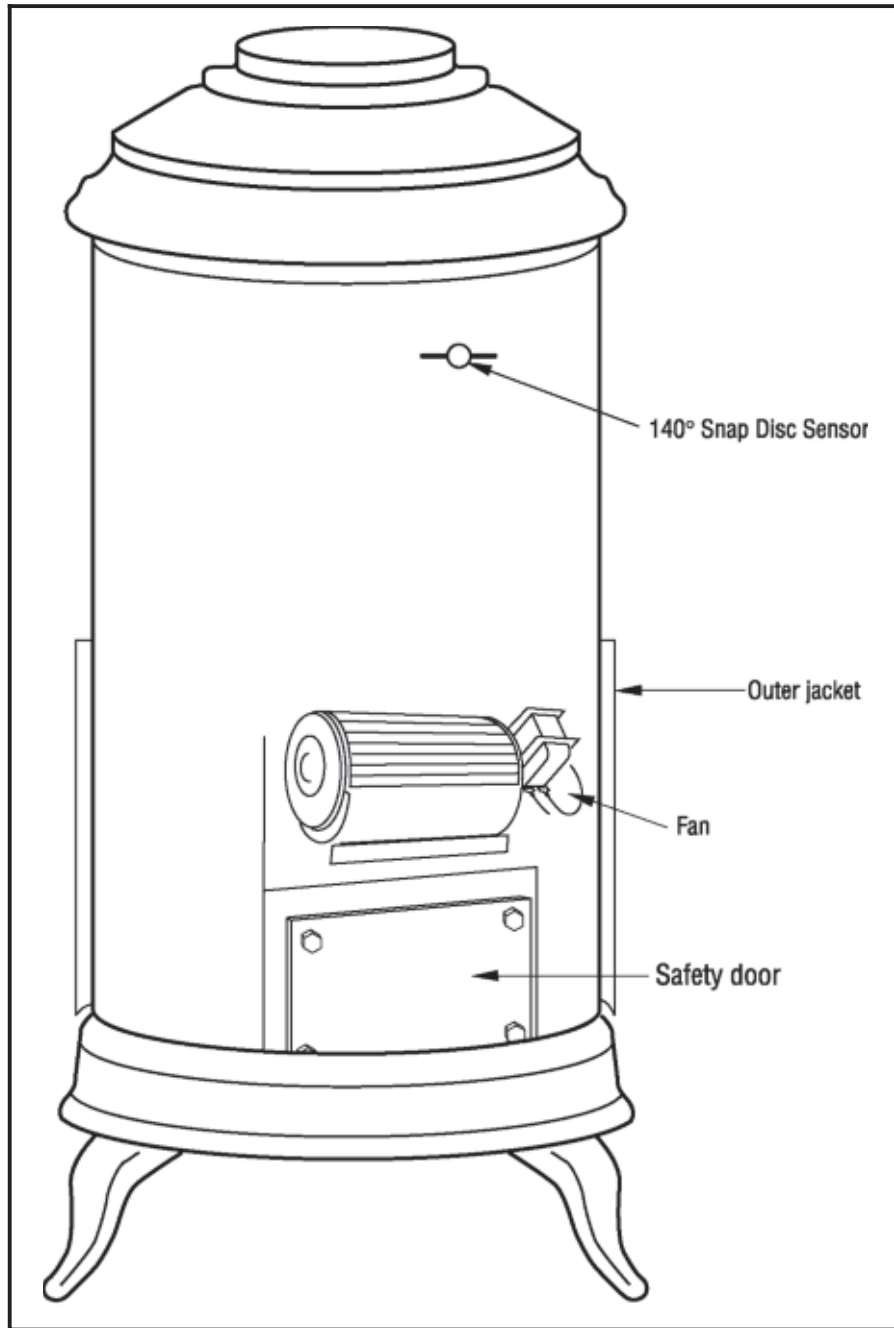
FIGURE 42 – PARLOUR/GNOME DIRECT VENT DELAYED IGNITION, FAN MOUNT, SNAP DISC SENSOR (1995-2004)



FAN REMOVAL

1. Remove outer jacket (label wires before removing).
2. Disconnect wires to fan motor.
3. Remove two screws at base of a mounting bracket.
4. Install new fan on mounting bracket and re-mount bracket on stove.
5. Make sure two pieces of insulation are in place behind motor and on left side of fan housing.
6. Replace wires and outer shield.

FIGURE 43 – DELAYED IGNITION SAFETY SHUT DOWN (2004+)



This unit is equipped with a safety shut down system that will disable the stove in the event pressure builds up and the stove ignites with delayed combustion. If this happens, you must have a qualified service person determine the cause of the delayed ignition.

FIGURE 44 – PARLOUR B VENT WIRING DIAGRAM – ROBERT SHAW VALVE

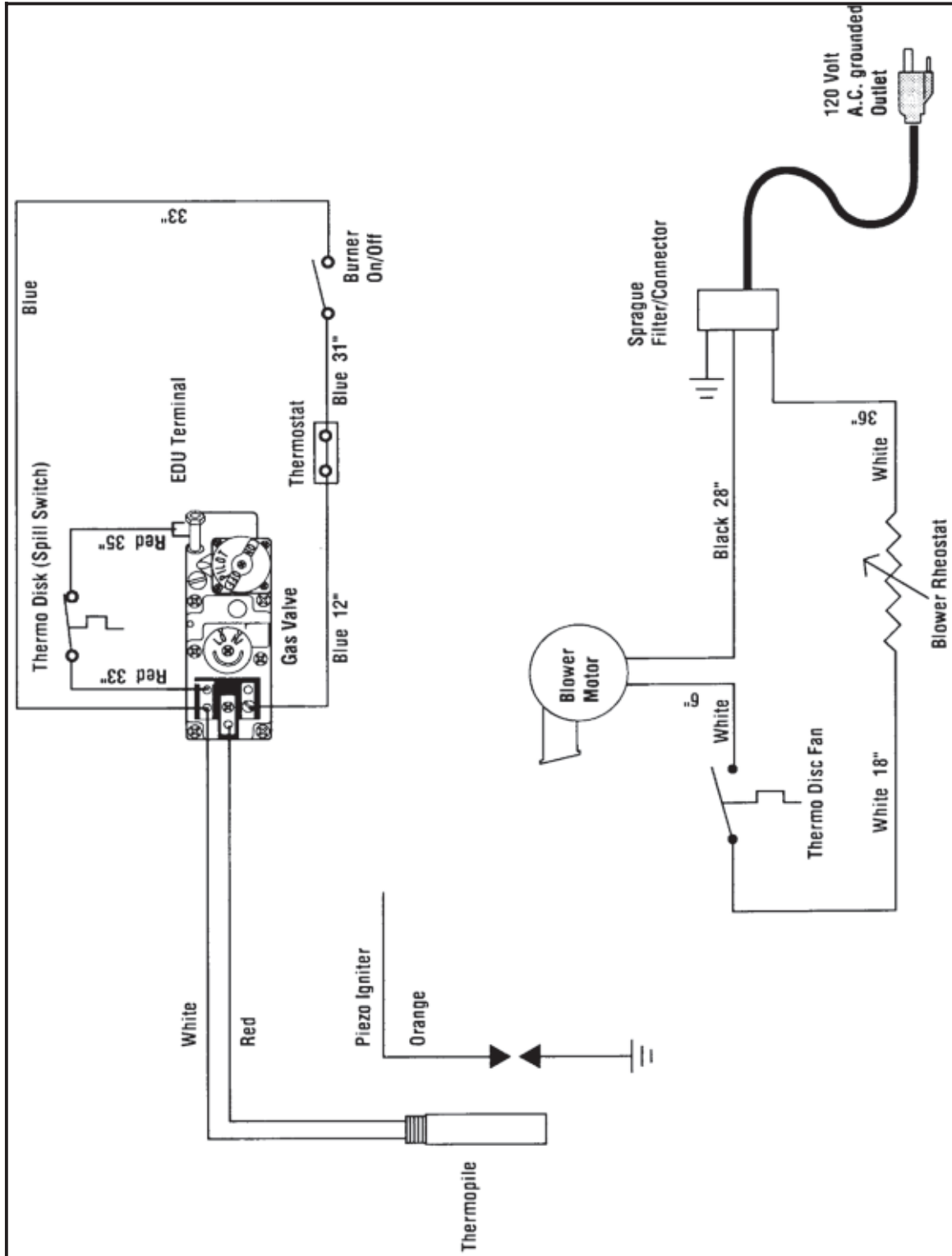


FIGURE 45 – PARLOUR B VENT WIRING DIAGRAM – SIT VALVE

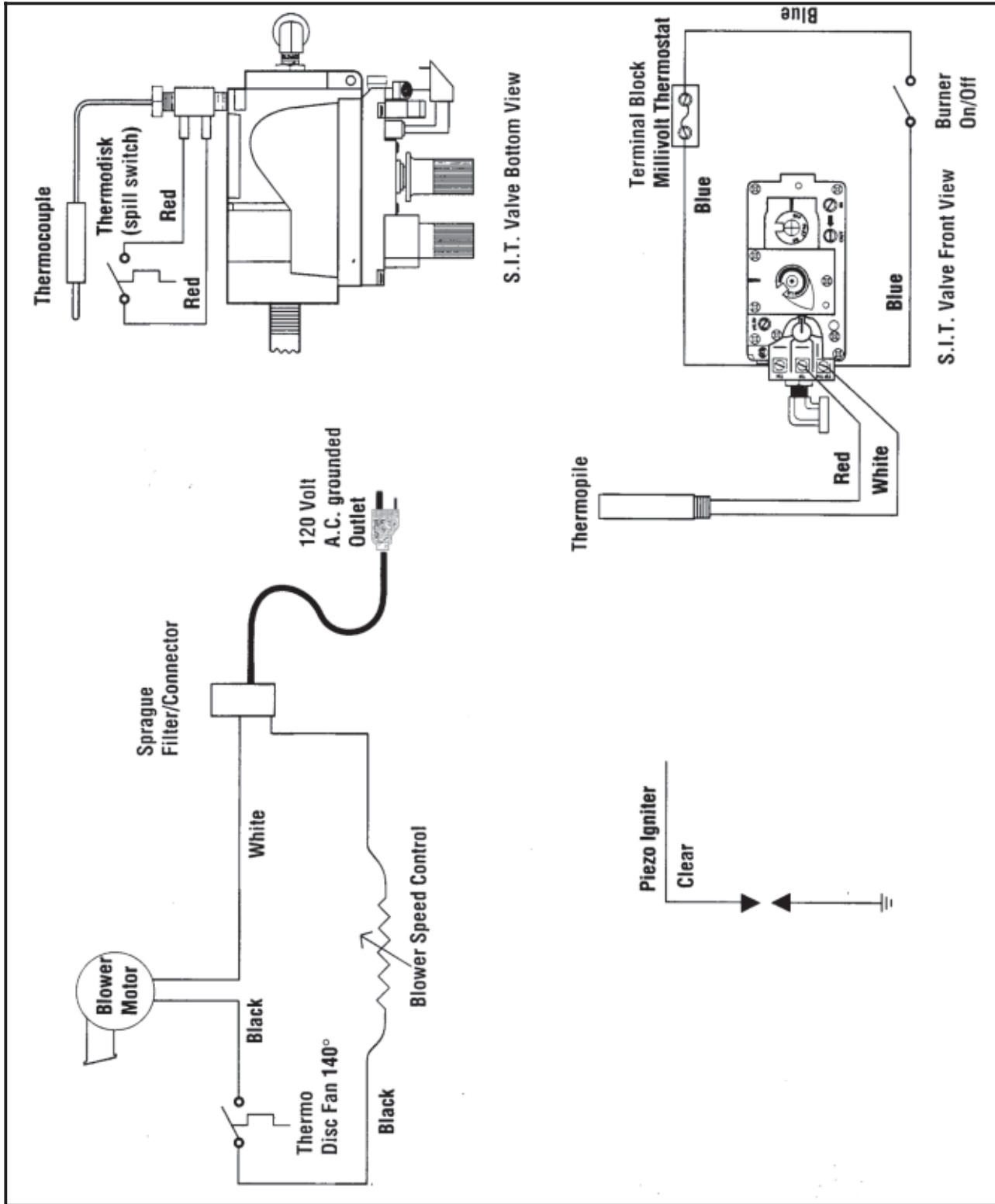


FIGURE 46 – ECHO VENTING CHART

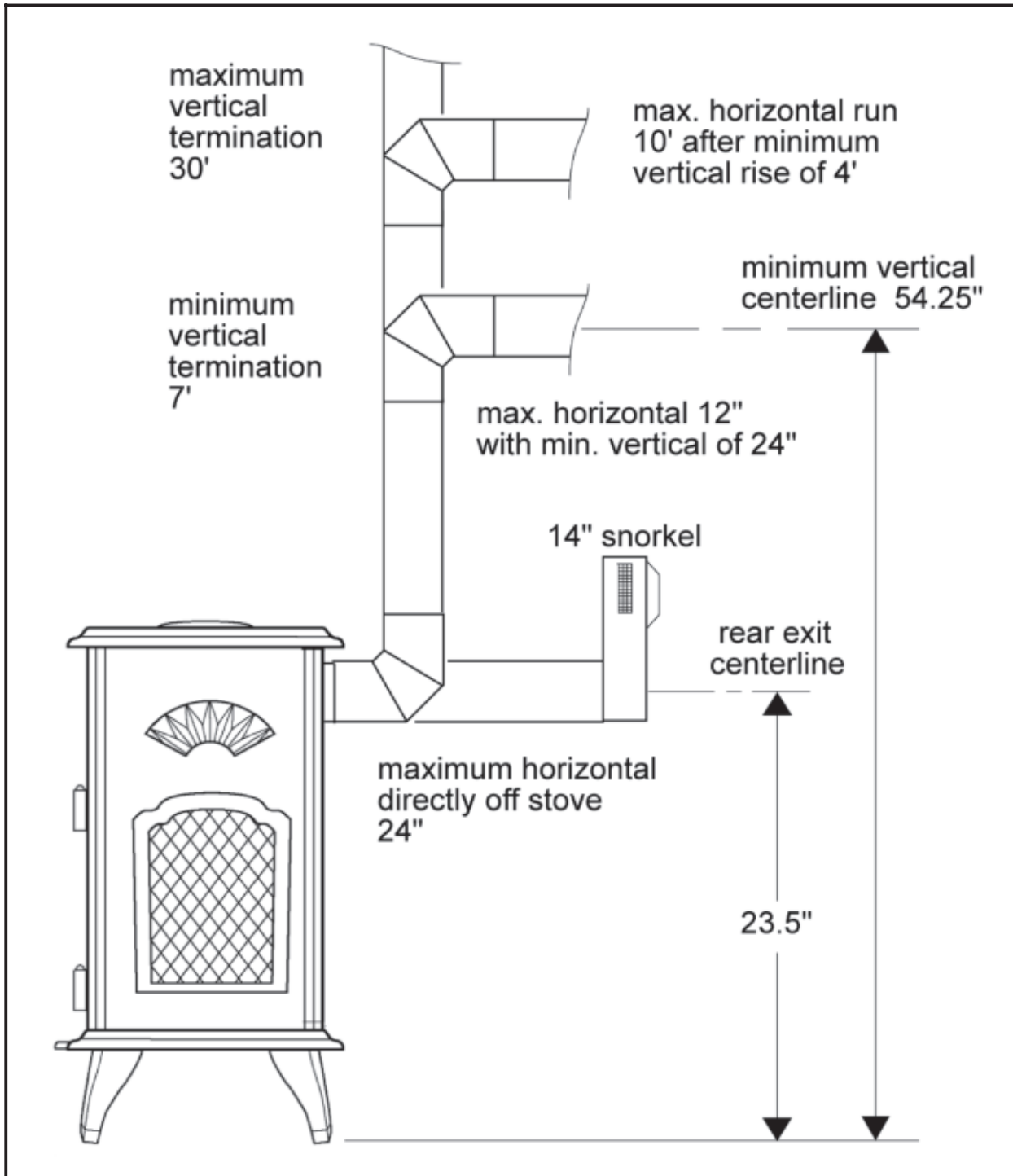


FIGURE 47 – DIRECT VENT WIRING DIAGRAM (1995 – 2004)

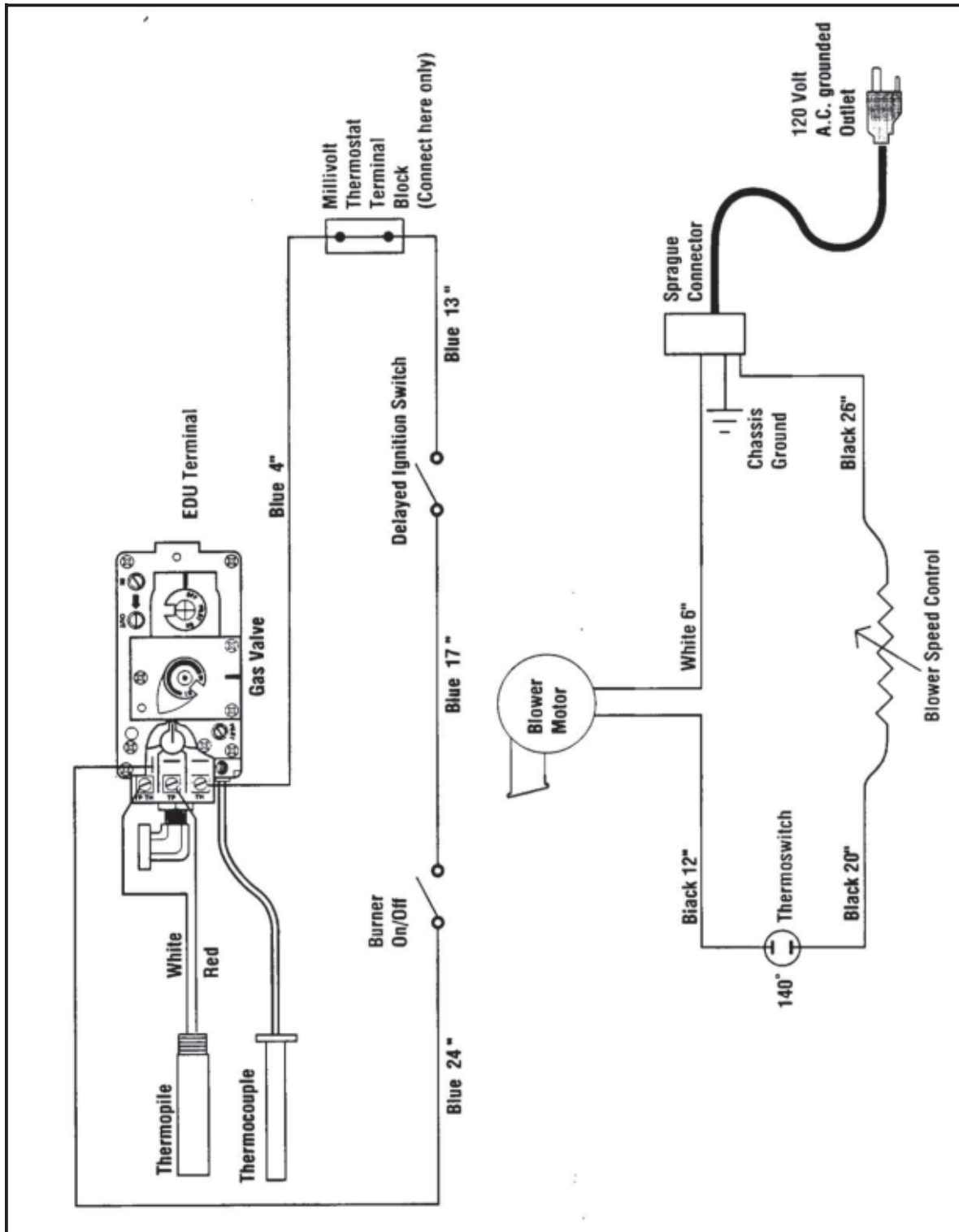
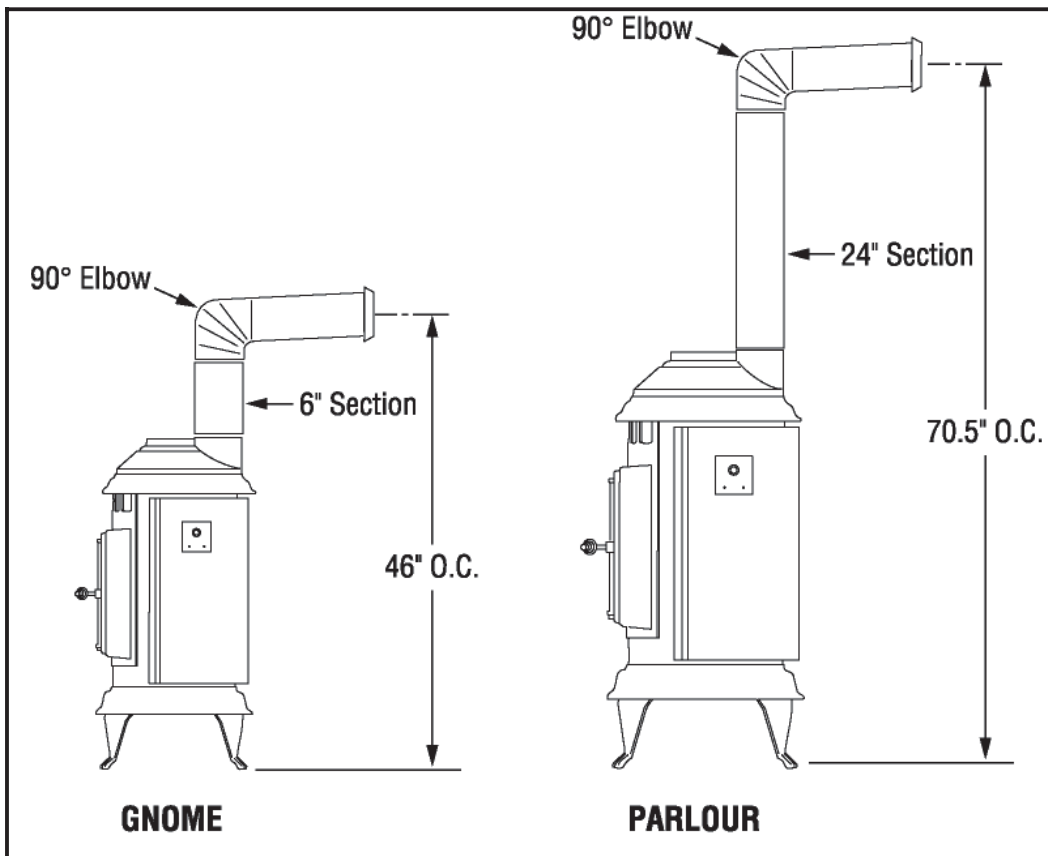


FIGURE 48 – DIRECT VENT DIMENSIONS



APPENDIX A

SIT VALVE TROUBLESHOOTING GUIDE

APPENDIX B

CONVERSION KIT INSTRUCTIONS



CONVERSION KIT

PARLOUR 3000 B VENT WITH ROBERT SHAW VALVE

Conversion from Natural Gas to Propane or Conversion from Propane to Natural Gas

The Conversion Kit contains: Regulator, Pilot Orifice, Main Orifice, and Gas Type Labels.

1. Shut off gas at the gas cock or shut off valve.
2. Open door and remove the log set.
3. **(Optional)** Disconnect the end pipe and the flex line at the stove. Spread a blanket or a drop cloth on the floor and tip the stove over on its left side as you face the stove. This step is not necessary, but it will make the job more visible and easier to do.
4. Take a 1/2" open-ended wrench and from the bottom of the stove, unscrew the pilot tube from the pilot. When the fitting is loose, pull the tube straight out and remove the pilot orifice.
5. Remove the three mounting screws from the main control valve. (See Figure 32.) Pull the orifice from the air shutter at the base of the burner. Remove the air shutter plate and tension spring. Now remove the main orifice.
6. Coat the threads of the orifice with pipe-joint sealer or pipe tape that is **rated for gas**. **Do not allow sealant to enter orifice opening**. Screw the new orifice in tight. Slip the orifice into the air shutter and replace the screws while holding tension on the brass manifold and **be careful to keep the orifice going straight into the burner. It should not be necessary to disconnect the wiring during this conversion.**
7. Place the new pilot orifice over the end of the pilot tube and insert into the base of the pilot. Thread the fitting on and tighten down snugly with a 1/2" open-ended wrench.
8. Remove the regulator from the valve (see Figure 24). The regulator is the knob that adjusts the flame from Hi to Lo and is attached to the valve with two screws as shown in Figure 24. The regulator and rubber gasket will come out together. Make sure you put the new gasket on the new regulator and screw the new regulator onto the valve (it will only go one way).
9. Make sure you **replace labels** on the back of the stove and on the valve. Labels are furnished with the conversion kit.

WARNING

This conversion kit shall be installed by a qualified service agency in accordance with the manufacturer's instructions and all applicable codes and requirements of the authority having jurisdiction. If the information in these instructions is not followed exactly, a fire, explosion, or production of carbon monoxide may result causing property damage, personal injury, or loss of life. The qualified service agency is responsible for the proper installation of this kit. The installation is not proper and complete until the operation of the converted appliance is checked as specified in the manufacturer's instructions supplied with this kit.

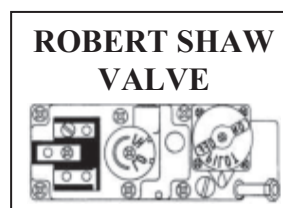
Note: These instructions are for either the LP or natural gas valves and orifices. If you mix up the parts, you can identify the LP parts in the following way: the LP orifice has the smaller hole. The LP regulator is marked and has the numbers 11.0 and 2.7 stamped on it. The natural gas regulator is unmarked.



CONVERSION KIT

PARLOUR 3000 DIRECT VENT AND GNOME DIRECT VENT

Conversion from Natural Gas to Propane or
Conversion from Propane to Natural Gas



The conversion kit contains: Regulator, Pilot Orifice, Main Orifice, and Gas Type Labels.

1. Shut off gas at the gas cock or shut off valve.
2. Open door and remove the log set.
3. To change orifices on the Direct Vent stoves, you will have to remove the burner by removing two 1/4 x 20 hex bolts located on either side of the burner (see Figure 35 for Parlour and Figure 36 for Gnome).
4. With the burner removed you can access the pilot orifice (see Figure 35 and Figure 36).
5. To change the pilot orifice and burner orifice, you will need a 1/2" open end wrench and a 7/16" open end wrench. **IMPORTANT:** Do not bend or move the gas tube when you unscrew the burner orifice. Make sure you re-seal orifice threads with **yellow tape** and **do not allow tape to enter orifice opening**. Brass burner orifice is located on the right side of stove under burner on Parlour and in the middle of stove on Gnome. You will need both wrenches to remove the burner orifice.
6. The pilot orifice is located on the left side and is in the middle of the pilot assembly. To remove pilot orifice, use the 1/2" wrench and unscrew pilot housing and lower tube down to remove orifice. Place the new pilot orifice over the end of the pilot tube and insert into the base of the pilot. Screw the fitting on and tighten down snugly with the 1/2" open end wrench. (See Figure 35 and Figure 36.)
7. Remove the regulator from the valve (see Figure 26). The regulator is the knob that adjusts the flame from Hi to Lo, and it is attached to the valve with two screws as shown in Figure 26. The regulator and rubber gasket will come out together. Make sure you put the new gasket on the new regulator and screw the new regulator onto the valve (it will only go one way).
8. Make sure you **replace labels** on the back of the stove and on the valve. Labels are furnished with the conversion kit.

WARNING

This conversion kit shall be installed by a qualified service agency in accordance with the manufacturer's instructions and all applicable codes and requirements of the authority having jurisdiction. If the information in these instructions is not followed exactly, a fire, explosion, or production of carbon monoxide may result causing property damage, personal injury, or loss of life. The qualified service agency is responsible for the proper installation of this kit. The installation is not proper and complete until the operation of the converted appliance is checked as specified in the manufacturer's instructions supplied with this kit.

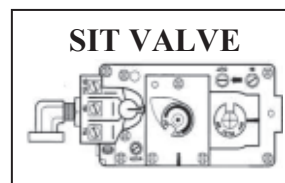
Note: These instructions are for either the LP or natural gas valves and orifices. If you mix up the parts, you can identify the LP parts in the following way: the LP orifice has the smaller hole. The LP regulator is marked and has the numbers 11.0 and 2.7 stamped on it. The natural gas regulator is unmarked.



CONVERSION KIT

PARLOUR DIRECT VENT, GNOME DIRECT VENT, PARLOUR B VENT, AND ECHO

Conversion from Natural Gas to Propane or
Conversion from Propane to Natural Gas



The conversion kit contains: Regulator, Pilot Orifice, Main Orifice, and Gas Type Labels.

1. Shut off gas at the gas cock or shut off valve.
2. Open door and remove the log set.
3. To change orifices on the Direct Vent stoves, you will have to remove the burner by removing two 1/4 x 20 hex bolts located on either side of the burner (see Figure 35 for Parlour and Figure 36 for Gnome).
4. With the burner removed you can access both orifices (see Figure 35 and Figure 36).
5. To change the pilot orifice and burner orifice, you will need both 1/2" and 7/16" open end wrenches. **IMPORTANT:** Do not bend or move the gas tube when you unscrew the burner orifice. Make sure you re-seal orifice threads with **yellow tape** and **do not allow tape to enter orifice opening**. The brass burner orifice is located on the right side of stove under burner on Parlour and in the middle of stove on Gnome. You will need both wrenches to remove the burner orifice.
6. The pilot orifice is located on the left side and is in the middle of the pilot assembly. To remove pilot orifice, use the 1/2" wrench and unscrew pilot housing and lower the tube down to remove orifice. Place the new pilot orifice over the end of the pilot tube and insert into the base of the pilot. Screw the fitting on and tighten down snugly with the 1/2" open end wrench. (See Figure 35 and Figure 36.)
7. Remove the regulator from the valve (see Figure 25). The regulator is the knob that adjusts the flame from Hi to Lo, and it is attached to the valve with two screws as shown in Figure 25. The regulator and rubber gasket will come out together. Make sure you put the new gasket on the new regulator and screw the new regulator onto the valve (it will only go one way).
8. Make sure you **replace the labels** on the back of the stove and on the valve. The labels are furnished with the conversion kit.

WARNING

This conversion kit shall be installed by a qualified service agency in accordance with the manufacturer's instructions and all applicable codes and requirements of the authority having jurisdiction. If the information in these instructions is not followed exactly, a fire, explosion, or production of carbon monoxide may result causing property damage, personal injury, or loss of life. The qualified service agency is responsible for the proper installation of this kit. The installation is not proper and complete until the operation of the converted appliance is checked as specified in the manufacturer's instructions supplied with this kit.

Note: These instructions are for either the LP or natural gas valves and orifices. If you mix up the parts, you can identify the LP parts in the following way: the LP orifice has the smaller hole. The LP regulator is marked and has the numbers 11.0 and 2.7 stamped on it. The natural gas regulator is unmarked.