



THELIN PROVIDENCE DOOR GASKET KIT - GLASS & OUTER SEAL

PROVIDENCE DOOR GASKET KIT
P/N: 20.6525.10052

PARTS INCLUDED:

55" - Glass Tape Gasket
(P/N 00.0005.0084)

55" - Door Rope Gasket
(P/N 00.0050.0102)

(1) - Gasket Cement & Sealer, 3 oz.

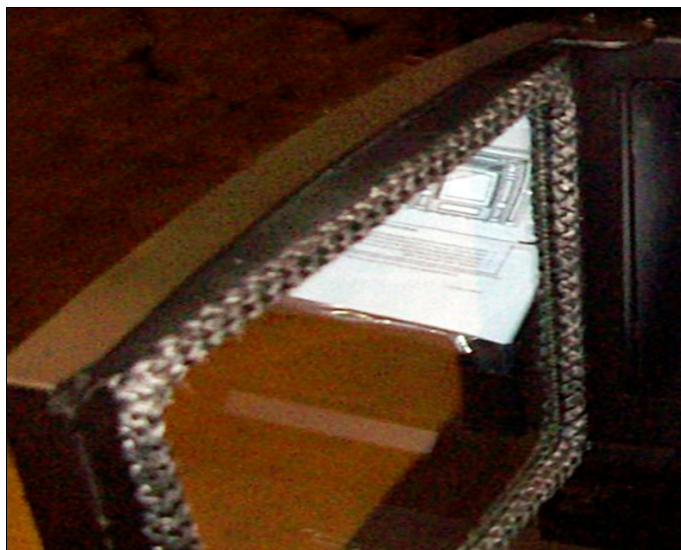


Figure 1

General Instruction

*** We recommend removing door from unit for gasket replacement. This may require re-adjusting door for proper closing.

- 1) Carefully remove old door gasket using putty knife.
- 2) Remove (4) corner nuts and brackets holding glass. Carefully remove glass.
- 3) Remove all gasket sealer from door frame and glass. Take care not to chip glass as this may cause a future crack.
- 4) Using the glass tape, remove the adhesive paper and carefully lay adhesive side to glass edge folding the thicker edges to both sides of glass (Figure 2). Using sharp sissors trim extra several inches of gasket so there is very little overlap. Glass should sit flat against metal door frame.
- 5) Re-install glass with (4) retaining brackets and nuts. Do not over tighten nuts, only snug to hold glass in place.
- 6) Using gasket cement, apply a single bead on top of installed glass gasket and edge of metal door frame.
- 7) Add a short bead of cement to end of rope and starting at hinge side of door, mid-glass press the gasket against frame and glass gasket. Continue adding cement in small lengths to door gasket until completely around door frame.

- 8) Cut gasket to overlap slightly with a finished end to end joint. Apply additional cement to keep gasket from unraveling.
- 9) Allow 24 hours for gasket cement to fully set.
- 10) Re-install door and adjust to close against door gasket with very slight pressure to handle. The door can be damaged by over tightening against gasket.

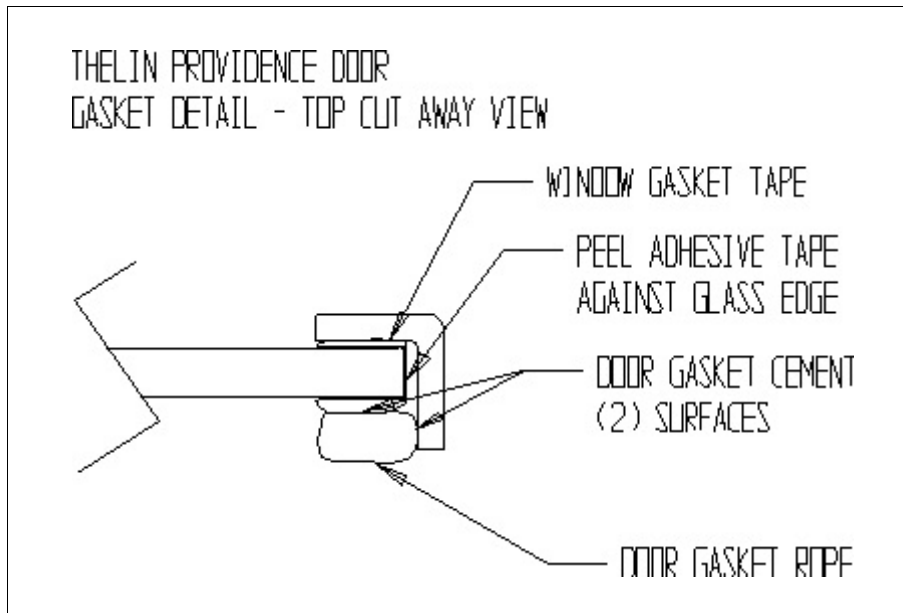


Figure 2

*** Additional information maybe found in your owners manual or visit:

<https://thelinco.com/resources/manuals/>

<https://thelinco.com/customer-support/replacement-parts/>

For technical assistance:

<https://thelinco.com/customer-support/technical-service/>

P/N: THP Providence Door Gasket Assembly
Kit # 20.6525.10052